

Hisense

Dehumidifier Use & Care Guide

Guía de uso y cuidado del deshumificador

Model/Modelo:



**DH50K1W
DH50KP1WG
DH70K1G
DH70KP1WG
DH70W1WG**

For questions about features, operation/performance, parts or service, call:
1-877-465-3566

Si tiene algunas preguntas sobre las características, función/rendimiento,
piezas o servicio, llame al: **1-877-465-3566**

TABLE OF CONTENTS

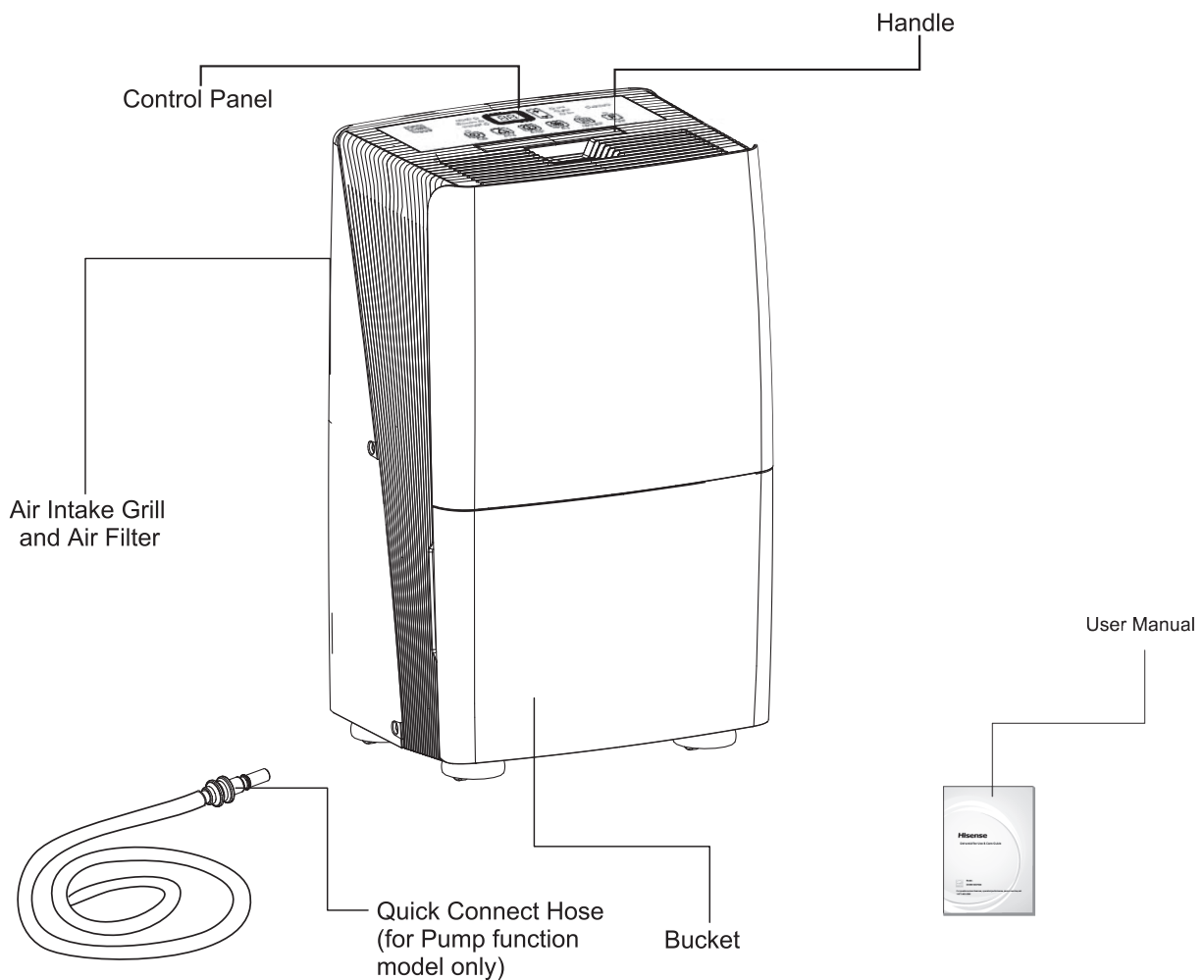
PRODUCT OVERVIEW.....	1	Draining the Dehumidifier.....	7
DEHUMIDIFIER SAFETY	2	Normal Sounds.....	8
INSTALLATION REQUIREMENTS	3	DEHUMIDIFIER CARE.....	9
Electrical Requirements	3	Cleaning the Air Filter.....	9
Location Requirements.....	3	Cleaning the Dehumidifier	9
DEHUMIDIFIER USE	4	TROUBLE SHOOTING.....	10
Setting the Controls	4		

State California Proposition 65 Warnings:

WARNING: This product contains one or more chemicals known to the State of California to cause cancer.

WARNING: This product contains one or more chemicals known to the State of California to cause birth defects or other reproductive harm.

Product Overview



DEHUMIDIFIER SAFETY

Your safety and safety of others are very important

We have provided many important safety messages in this manual and on your appliance. Always read and follow all safety messages.



This is the safety alert symbol.

This symbol alerts you to potential hazards that can kill or hurt you and others.

All safety messages will follow the safety alert symbol with the word "DANGER" or "WARNING"

These words mean:

⚠ DANGER

A hazard that if not avoided, will result in death or serious injury.

⚠ WARNING

A hazard that if not avoided, could result in death or serious injury.

All safety messages will tell you what the potential hazards are, tell you how to reduce the chance of injury, and tell you what can happen if the instructions are not followed.

IMPORTANT SAFETY INSTRUCTIONS

WARNING: To reduce the risk of fire, electric shock, injury or sickness when using your dehumidifier, follow these basic precautions:

- Plug into a grounded 3 prong outlet.
- Do not remove ground prong.
- Do not use an electrical adapter.
- Do not use an extension cord.
- Unplug dehumidifier before servicing.
- Do not drink water collected in the water bucket.

SAVE THESE INSTRUCTIONS

DISPOSING OF THE UNIT

- Dispose of this appliance in accordance with Federal and Local regulations. Refrigerants must be evacuated before disposal.
- Please recycle or dispose of the packaging material of the product in an environment-friendly manner.
- To avoid damage to the compressor, never store or ship the appliance upside down or sideways.
- The appliance is not intended for use by young children or impaired people without supervision. Young children should be supervised to ensure that they do not play with the appliance.

INSTALLATION REQUIREMENTS

Electrical Requirements

⚠ WARNING



Electrical Shock Hazard

Always plug into a grounded three-prong outlet.
Do not remove ground prong.
Do not use an adapter.
Do not use an extension cord.
Failure to follow these instructions can result in death, fire, or electrical shock.

Specific electrical requirements are listed in the chart below. Follow the requirements for the type of plug on the power supply cord.

Power supply cord	Wiring requirements
-------------------	---------------------



- 115 V (103.5 min. to 126.5 max.)
- 15 A time-delay fuse or circuit breaker

Recommended Grounding Method

This dehumidifier must be grounded. This dehumidifier is equipped with a power supply cord with a three-prong grounding plug. The cord must be plugged into a mating, grounded three-prong outlet, grounded in accordance with all local codes and ordinances. If a mating outlet is not available, it is the customer's responsibility to have a properly grounded three-prong outlet installed by a qualified electrical installer.

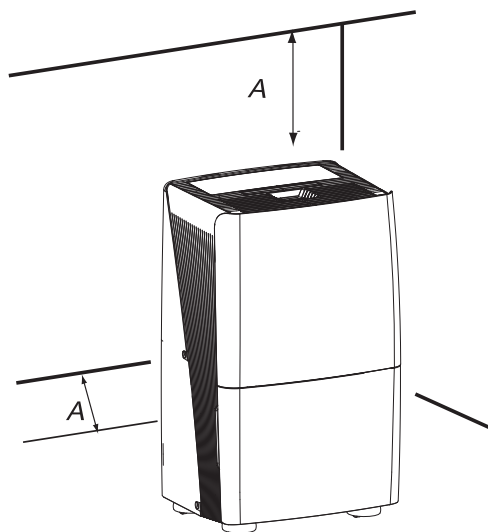
It is the customer's responsibility:

- To contact a qualified electrical installer.
- To assure that the electrical installation is adequate and conforms to the Nation Electrical Code, ANSI/NFPA 70-last edition, and all local codes and ordinances.

Copies of the standards listed may be obtained from:
Nation Fire Protection Association
1 Batterymarch Park
Quincy, Ma 02169-7471
www.nfpa.org

Location Requirements

NOTE: Your model may differ from the one shown.



A. 12" to 18" (30.5 to 45.7 cm)

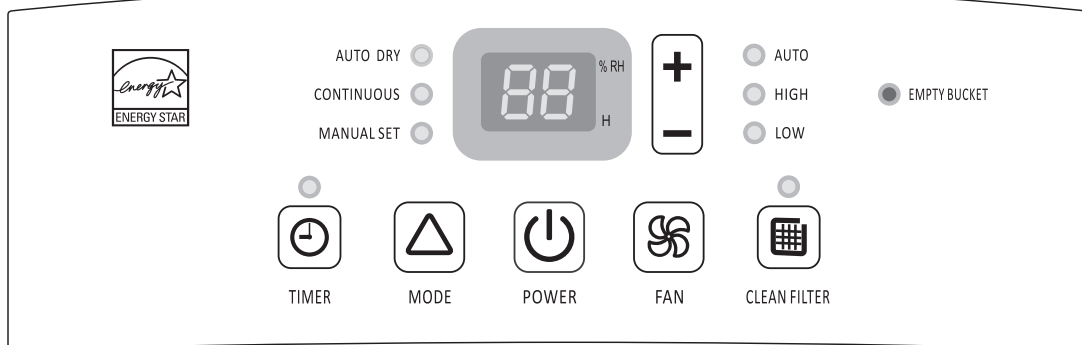
- Do not locate outdoors. This dehumidifier is intended for indoor, residential use only. This dehumidifier is not recommended for commercial use.
- Allow at least 12" to 18" (30.5 cm to 45.7 cm) of space on the rear and sides of the dehumidifier for models with back louver and above the dehumidifier for models with top louvers.
- You will need a surface strong enough to support the dehumidifier when its bucket is full of water.
- You will need a surface level enough to keep the water from spilling when the bucket is full of water.
- Keep all outside doors, windows and other openings closed when you are operating the dehumidifier. Humid outdoor air will increase the dehumidifier's workload, increasing energy consumption due to continuous running (The dehumidifier is never be able to reach the humidistat's set point).
- Install the dehumidifier in an area where the temperature will not fall below 38 °F (3 °C) to avoid freezing. Lower temperatures will cause performance to drop.
- Do not block the louvers of the unit.
- Never operate this dehumidifier in an area that is likely to accumulate standing water. If this condition develops, for your safety disconnect the power supply before stepping into the water.

DEHUMIDIFIER USE

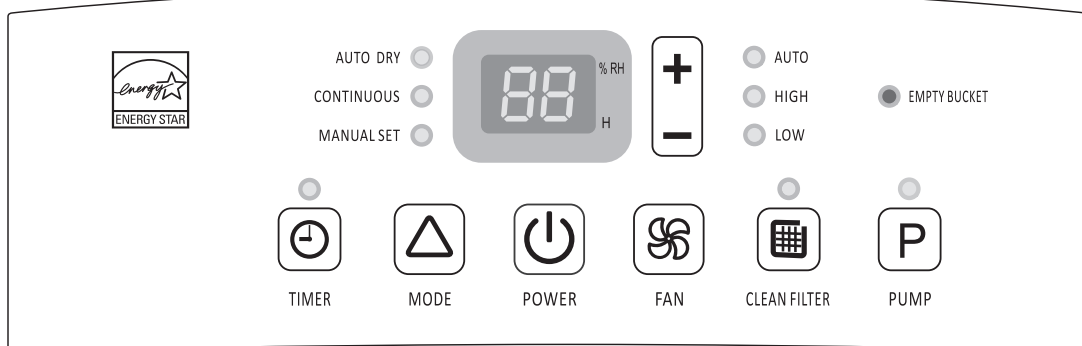
Setting the Controls

Control Panel

Control Type1



Control Type2 (PUMP)



NOTES:

- The control panel of your model may differ from the one shown above.
- PUMP button may not be displayed on the panel if your model does not have that function.
- Operating temperature is between 38°F to 90°F (3.2°C to 32.2°C)

Starting/Stopping the Dehumidifier

WARNING: The dehumidifier should be upright for at least 2 hours before use.

NOTES:

- Before turning on the dehumidifier, be sure that the bucket is empty and fits all the way into the dehumidifier.
- Each time you unplug the dehumidifier or power is interrupted, the controls will return to the previous settings when power is restored.
- Humidity displayed is between 30% Relative Humidity and 90% Relative Humidity.
- Humidity can be set between 30% Relative Humidity and 80% Relative Humidity.
- It's important to set the desired humidity level to an achievable setting. To ensure energy-efficient operation, only use the dehumidifier in a closed space, with no open windows or other sources of moist air (to avoid continuous running)

⚠ WARNING



Electric Shock Hazard

Always plug into a grounded three-prong outlet.

Do not remove ground prong.

Do not use an adapter.

Do not use an extension cord.

Failure to follow these instructions can result in death, fire or electric shock.

1. Plug into a grounded three-prong outlet.
2. Press POWER to turn on the dehumidifier.
3. Press FAN to choose the fan speed.
4. Press MODE to choose the mode.
5. Press the plus or minus button to set the level of humidity.
6. Press POWER to turn off the dehumidifier.



NOTE: The dehumidifier will retain your last settings.

EMPTY BUCKET Light

If this light is on, the dehumidifier is not running. This light indicates that you need to check:

- If the bucket is full, empty and re-install bucket.
- If the bucket is not in position, remove the bucket and re-install it. Make sure the bucket fits all the way into the dehumidifier and the bucket light is off, or dehumidifier will not run.

Fan Speed

1. Press FAN to select fan speed.
2. Choose Low, Auto or High.



- LOW- Reaches the desired humidity setting with lower sound level.
- AUTO- Achieves set humidity at normal speed.
- HIGH- Will more quickly reach the desired humidity setting.

NOTE:

Once the humidity set point is reached, the dehumidifier will stop running continuously, and the fan will be off periodically. The fan may periodically turn on, to read the humidity level, without the compressor running.

Desired Humidity-Mode

1. Press MODE to select the desired humidity setting.



2. Choose Auto Dry, Continuous or Manual Set.
 - AUTO DRY: The dehumidifier will operate in dry mode only. The Fan Speed can be adjusted. The Desired Humidity is set to 50% automatically.
 - CONTINUOUS: The dehumidifier will operated continuously. The Fan Speed can be adjusted. The Desired Humidity can not be adjusted.
 - MANUAL SET: The dehumidifier will operate at the selected fan speed to the set humidity level.

If the humidity level of the room is higher than the desired humidity setting, the compressor will turn on. If the humidity level of the room is lower than the desired humidity setting, the compressor will turn off, as well as the fan.

NOTE:

The de-icing function will turn off the compressor if a low temperature condition occurs. When the de-icer senses the correct operating temperature, the compressor will cycle back on. Some freezing is normal when dehumidifiers are used at low temperatures.

Power

Press POWER to turn on or turn off the dehumidifier.



Humidity Level

1. Press the Plus or Minus button to activate the humidity setting program. Digits in the digital display will flash.
2. Press the Plus or Minus button again to set the desired humidity level.



3. Digital display will stop flashing five seconds after setting, after which the actual room humidity will be displayed.

NOTE:

Humidity can only be adjusted manually in Manual Set mode. In Continuous and Auto Dry mode, humidity level is set automatically.

Digital Display

The display shows relative humidity or time (depending on the setting).

1. When the dehumidifier operates in Manual Set mode, the display shows the relative humidity of the room.
2. When the timer is selected, the display shows the time when the dehumidifier will turn on or turn off, depending on the setting.



NOTE:

The humidity displayed is only for reference. For accurate humidity, please check a hygrometer.

Timer

To set the Timer for a 30-minute to 24-hour delay before the dehumidifier is turned off (the dehumidifier must be On):

1. Press **TIMER**. Timer indicator light will come on, and the Display will flash. The display will show remaining time before the dehumidifier will turn off.



2. Press the **Plus** or **Minus** button to change the delay time, from 30 minutes to 24 hours.

To set Timer to turn on the dehumidifier, with previous setting:

1. Turn off the dehumidifier.
2. Press **TIMER**. Timer indicator light will flash. The display will show remaining time before the dehumidifier will turn on.
3. Press the **Plus** or **Minus** button to change the delay time, from 30 minutes to 24 hours.

To clear the Timer delay program:

NOTE: Dehumidifier can be either on or off.

1. Press **TIMER** once after it has been programmed. Display will show remaining time.
2. While the display is showing the remaining time, press **TIMER** again. Timer indicator light will turn off.

To see the remaining time.

Press **TIMER** once after it has been programmed. Display will show remaining time.

Clean Filter

1. When the **CLEAN FILTER** indicator light is on, remove, clean and replace the air filter. See "Cleaning the Air Filter".
2. Press the **CLEAN FILTER** button after cleaning and replacing the air filter to reset the filter monitor.



NOTE:

When the light is on, it will remain on for 360 hours or until you press **CLEAN FILTER**. After 180 hours, it will turn off automatically.

Pump (for Pump function model only)

This feature pumps water horizontally or vertically.

Pump water to a drain, out a window or anywhere you think suitable.

IMPORTANT:

You must connect the drain hose to the unit before pressing the **Pump** button, or the pump will not operate. See "Pump drain" for connecting instructions.

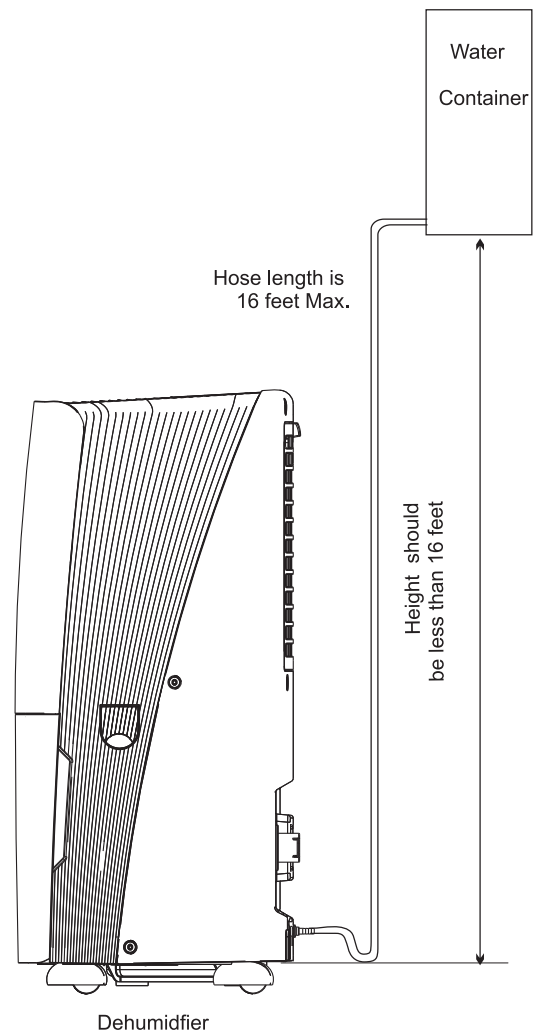


1. Press **PUMP** to activate the pump system for active drainage.
2. Once the pump button is pressed, the pump light will switch on.

NOTE:

- If the pump light flashes, it means that the pump is not functioning properly.
- If the drain hose is not correctly connected to the unit or is bent, the pump light will flash and the pump system will not work. See "Trouble shooting" for direction.

Site for installing hose for pump function:



Draining the Dehumidifier

⚠ WARNING

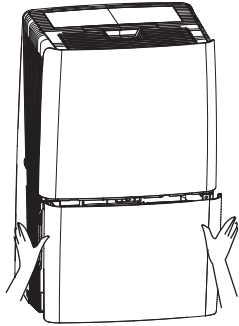
Sickness Hazard

Do not drink water collected in water bucket.
Doing so can result in sickness.

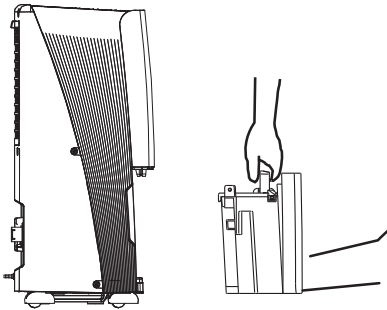
Option 1 Bucket Draining

If a floor drain is not available, or you do not plan to run your dehumidifier continuously, you may want to simply empty the bucket.

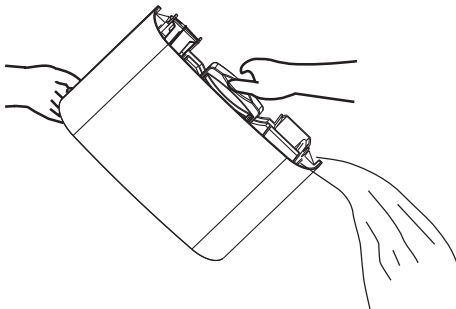
1. Grasp the bucket sides to slide out bucket.



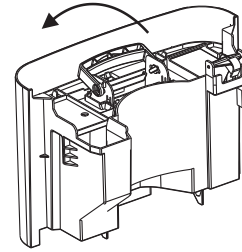
2. Grasp the handle and bottom of the bucket to lift bucket.



3. Pour water through opening into a sink or tub.



4. Fold down the handle and reinstall the bucket.



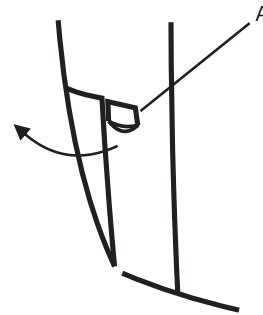
IMPORTANT :

If the EMPTY BUCKET light comes on, the dehumidifier will not operate. The bucket may need to be emptied or adjusted.

Option 2 Gravity Draining

If you plan to run your dehumidifier continuously, you can choose direct draining by attaching a garden hose to the unit.

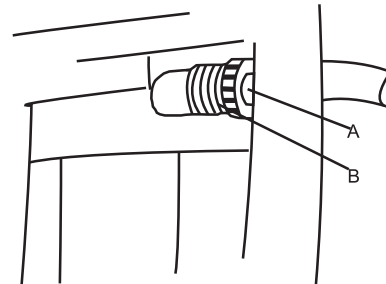
1. Uncover the connector cover on the side of the unit.



2. Remove bucket.

3. Attach a garden hose to the drain hose connector on the inside of the dehumidifier. Securely attach the hose to be sure there is no water leak.

NOTE: The Garden hose is sold separately.
NOTE: The connection is designed for North America Area-market garden hoses, only.

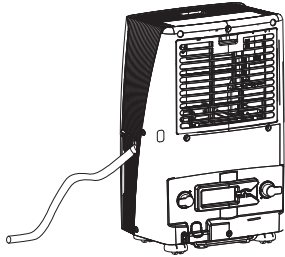


A. Garden hose
B Drain hose connector

IMPORTANT :

In the North Area-market, the garden hose connectors are 3/4" diameter straight (non-tapered) thread with a pitch of 11.5 threads per inch (male part has an outer diameter of 1 1/16 inches (26.99 mm)).

4. Place the other end of garden hose into a floor drain. Check to see that the hose lies flat and is in the drain. Make sure the draining end of the hose is on a lower level than the hose connection to the dehumidifier. The hose should not be kinked or pinched.



5. Reinstall bucket.

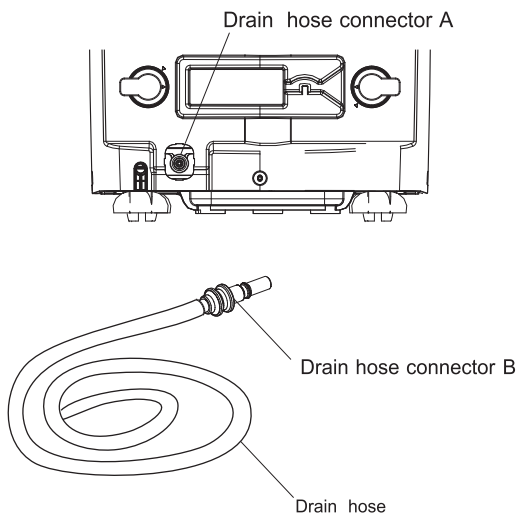
NOTES:

- To use the bucket without the garden hose, simply remove the the garden hose, then reinstall bucket.
- The bucket must be installed and properly aligned for the the dehumidifier to operate with or without a garden hose connected.

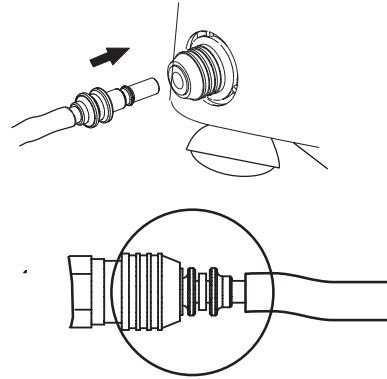
Option 3 PUMP-Drain (for Pump function model only)

This feature can pump water horizontally or vertically to a floor drain, out a window or anywhere you think suitable.

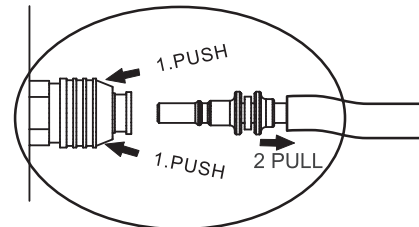
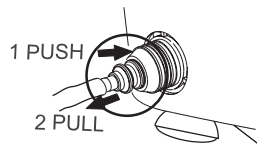
NOTE: You must connect the drain hose (with connector B) to connector A before pressing the Pump button. If the pump does not function properly, see "Trouble shooting" for instructions.



1. To connect the drain hose to the unit, push drain hose connector B into the connector A.

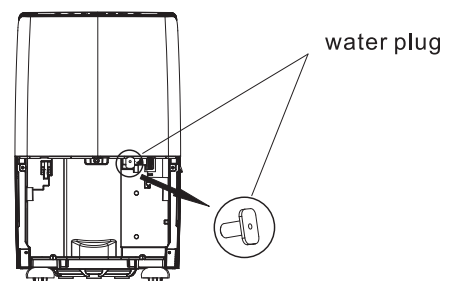


2. To disconnect the drain hose, push connector A in, and then pull connector B out.



How to disconnect

NOTE: If the unit will not be used for a certain period of time, please remove the water plug as shown in the picture and drain the dehumidifier completely.



IMPORTANT: Before operating the dehumidifier, please ensure the water plug is tightly plugged, otherwise the garden hose drainage and pump drainage options will not work properly.

Normal Sounds

When your dehumidifier is operating normally, you may hear sounds such as:

- Compressor sounds, which may be loud.
- Air movement from the fan.
- Pump sounds, which may be loud.
- Clicking sounds when the dehumidifier or compressor turns on and off, and when the Automatic shut-off Switch is working.

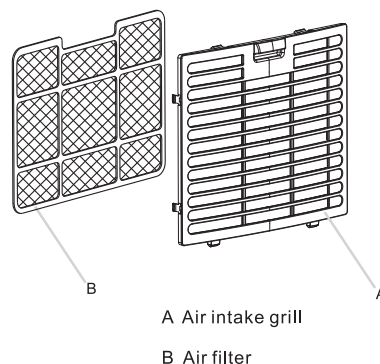
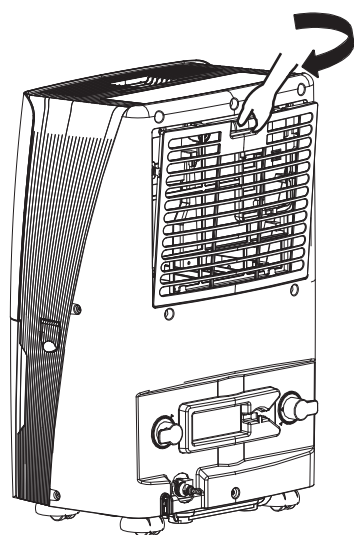
DEHUMIDIFIER CARE

Your new dehumidifier is designed to give you many years of dependable service. This section explains how to clean and care for your dehumidifier.

Cleaning the Air Filter

The air filter is removable for easy cleaning. A clean filter helps remove dust, lint, and other particles from the air and is important for best operating efficiency. Check the filter every two weeks to see whether it needs cleaning.

1. Turn off the dehumidifier.
2. Remove the air intake grill.
3. Take out the air filter.



4. Use a vacuum cleaner to clean the air filter. If the air filter is dirty, wash it in warm water with a mild detergent.

NOTES:

Do not wash air filter in the dishwasher or use any chemical cleaners. Air dry filter completely before replacing to ensure maximum efficiency.

5. Reinstall the air filter and the air intake grill.
6. Turn on the dehumidifier.

Cleaning the Dehumidifier

Exterior

NOTE:

1. Turn off the dehumidifier and unplug the power supply cord.
2. Dust the surface of the unit with a soft cloth or the dusting attachment of your vacuum cleaner.

Water Bucket

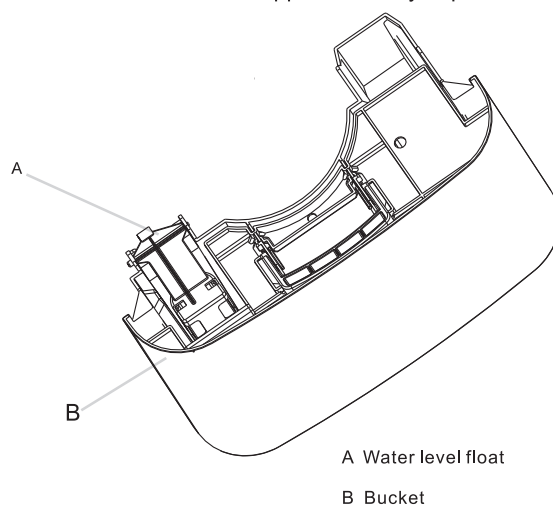
Every few weeks, rinse the inside of the water bucket with a mild detergent to avoid growth of mold, mildew and bacteria.

Water Level Float

The dehumidifier's water bucket has an EMPTY BUCKET light and a water level

float. The bucket must be properly aligned for the water level float and the EMPTY BUCKET light to work.

NOTE: Be sure the float is snapped correctly in place.



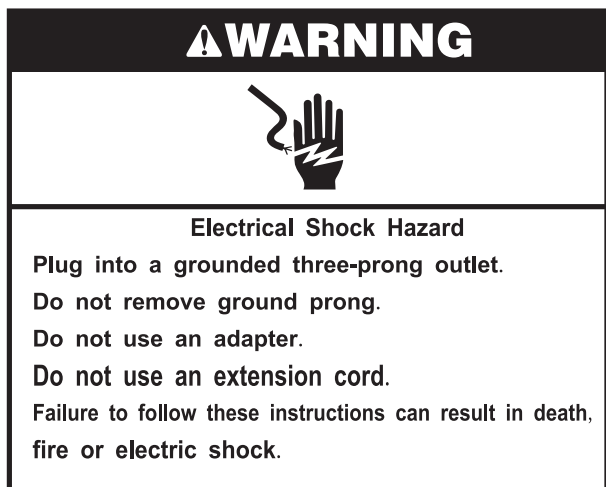
TROUBLE SHOOTING

Before calling for service, try the suggestions below .

Dehumidifier will not run

- Is the dehumidifier turned on?

Turn on the dehumidifier.



- Is the power cord plugged into a grounded three-prong outlet?

Plug into a grounded three-prong outlet. See Electrical Requirements.

- Has a household fuse blown or has a circuit breaker tripped?

Replace the fuse or reset the circuit breaker. If the problem continues, call an electrician. See "Electrical Requirements."

- Is the bucket installed properly?

Reinstall the bucket so that it fits all the way into the dehumidifier.

- Does the bucket need to be emptied?

Empty the bucket.

- Is the water level float in place?

Remove the bucket. Make sure the float is snapped in place. Reinstall the bucket.

Dehumidifier runs but does not dehumidify

- All models have an automatic de-icing function that will shut off the compressor and allow the fan to run.

When the de-icing function senses the correct operating temperature, the compressor will cycle back on.

- Is the control set to Continuous?

If you have selected Continuous Run, the dehumidifier will run continuously. If the room humidity level is low, little or no water may be collected.

- The filter is dirty or obstructed by debris.

Clean the filter.

Air coming from the dehumidifier is warm

- Dehumidifier will put out warm air under normal operating conditions.

Dehumidifier displays error codes

- If the dehumidifier displays an error code, please contact Hisense customer service at 1-877-465-3566.

Pump system does not work

Does the pump indicator light flash?

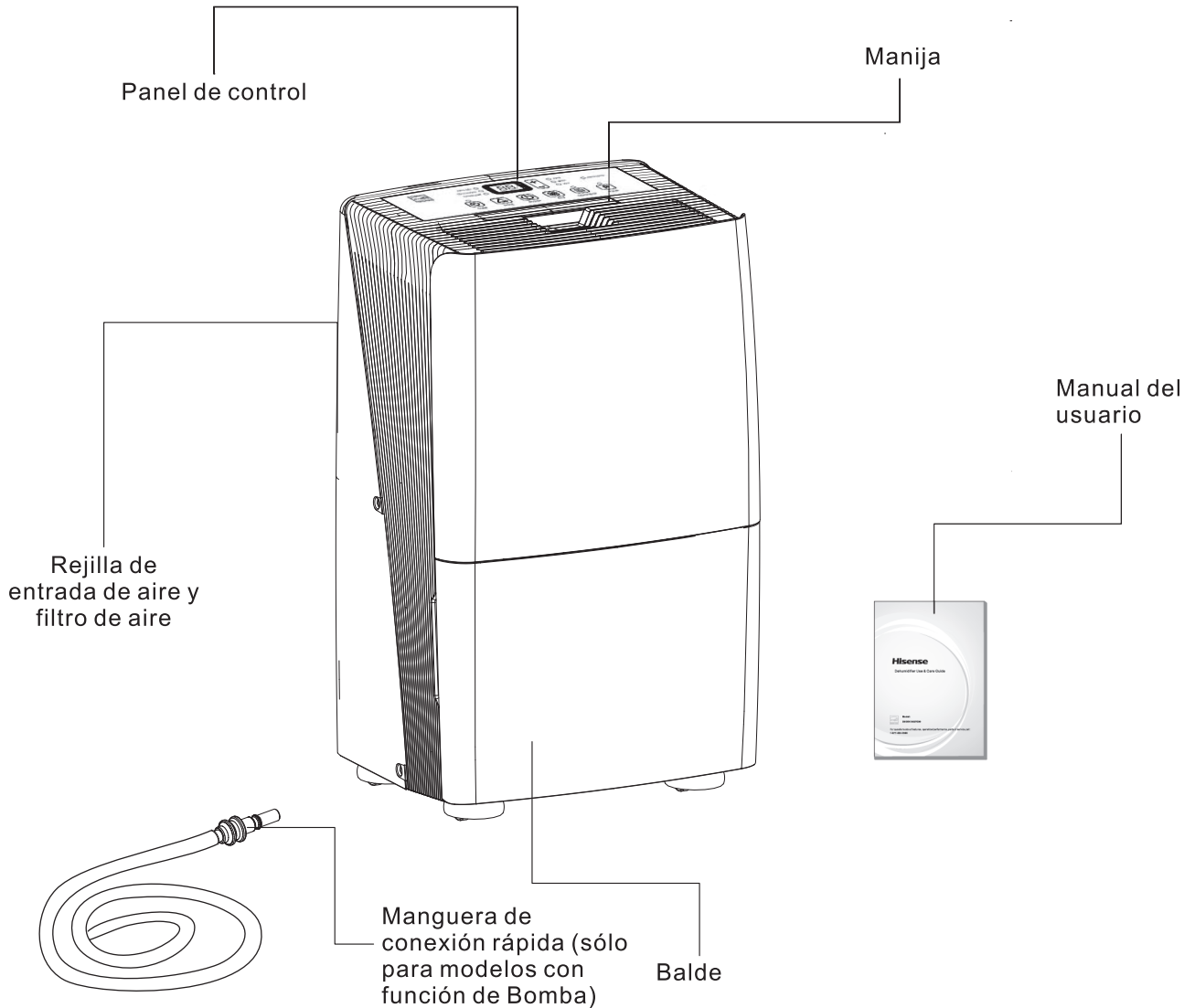
1. Check and make sure the drain hose is correctly connect to the unit.
2. Press the POWER button to turn off the unit. Restart the unit by pressing POWER button again.

Tabla de Contenido

DESCRIPCIÓN DEL PRODUCTO.....	11	Drenaje del deshumificador.....	17
SEGURIDAD DEL DESHUMIFICADOR	12	Sonidos normales.....	18
REQUERIMIENTOS DE INSTALACIÓN.....	13	CUIDADO DEL DESHUMIFICADOR.....	19
Requerimientos eléctricos.....	13	Limpieza del filtro de aire.....	19
Requerimientos de ubicación.....	13	Limpieza del deshumificador.....	19
USO DEL DESHUMIFICADOR.....	14	SOLUCIÓN DE PROBLEMAS.....	20
Configuración de los controles.....	14		

La propuesta 65 del Estado de California advierte:
ADVERTENCIA: Este producto contiene uno o más químicos conocidos por el Estado de California que causan cáncer.
ADVERTENCIA: Este producto contiene uno o más químicos conocidos por el Estado de California que causan defectos de nacimiento o daños reproductivos.

Descripción del producto



SEGURIDAD DEL DESHUMIFICADOR

Su seguridad y la seguridad de otros son muy importantes

Le brindamos muchos mensajes importantes sobre la seguridad en este manual y en el electrodoméstico. Siempre lea y siga todos los mensajes de seguridad.



Este es un símbolo de alerta de seguridad.
Este símbolo lo alerta sobre un posible peligro que puede matar o herirlo a usted y a otros.
Todos los mensajes de seguridad estarán seguidos del símbolo de alerta con la palabra "PELIGRO" o "ADVERTENCIA"
Estas palabras significan:

⚠ DANGER PELIGRO

Un peligro que si no se evita resultará en la muerte o lesiones graves.

⚠ WARNING ADVERTENCIA

Un peligro que si no se evita puede resultar en la muerte o lesiones graves.

Todos los mensajes de seguridad le dirán qué peligro es, cómo reducir las probabilidades de lesiones y qué pasa si no se siguen las instrucciones.

INSTRUCCIONES IMPORTANTES DE SEGURIDAD

ADVERTENCIA: Para reducir el riesgo de incendios, descargas eléctricas, lesiones o enfermedades cuando utilice el deshumificador siga estas precauciones básicas:

- Conecte a un tomacorrientes de 3 terminales con conexión a tierra.
- No quite la terminal con conexión a tierra.
- No utilice un adaptador eléctrico.
- No utilice un cable de extensión.
- Desenchufe el deshumificador antes de realizarle mantenimiento.
- No beba el agua que se acumula en el balde.

GUARDE ESTAS INSTRUCCIONES

ELIMINACIÓN DE LAUNIDAD

- Deshágase de este electrodoméstico según las regulaciones federales y locales. Antes de la eliminación, se debe vaciar el refrigerante.
- Recicle o elimine el material de empaque del producto de manera ecológica y responsable.
- Para evitar daños en el compresor, nunca almacene o traslade el electrodoméstico hacia abajo o de lado.
- Este electrodoméstico no está destinado para ser utilizado por niños o personas discapacitadas sin supervisión. Los niños pequeños deben ser supervisados para asegurarse de que no jueguen con el electrodoméstico.

REQUERIMIENTOS DE INSTALACIÓN

Requerimientos eléctricos

⚠ ADVERTENCIA



Peligro de descarga eléctrica

Siempre conecte en un tomacorriente de 3 terminales con conexión a tierra.
No quite la terminal con conexión a tierra.
No utilice un adaptador.
No utilice un cable de extensión.
El incumplimiento de estas instrucciones puede causar la muerte, incendios o descargas eléctricas.

Los requisitos eléctricos específicos están mencionados en la siguiente tabla. Siga los siguientes requisitos para el tipo de conector de su cable de alimentación.

Cable de alimentación - Requisitos del cableado



- 115 V (103.5 mín. - 126.5 máx.)
- Fusible o interruptor 15 A

Método de conexión a tierra recomendado

Este deshumificador debe estar conectado a tierra. El deshumificador está equipado con un cable de alimentación con un conector de 3 terminales. El cable debe estar conectado a un tomacorrientes de tres terminales macho conforme con los códigos y ordenanzas locales. Si el tomacorrientes macho no está disponible, es responsabilidad del cliente contar con un tomacorrientes de tres terminales a tierra instalado por un electricista calificado.

Es responsabilidad del cliente:

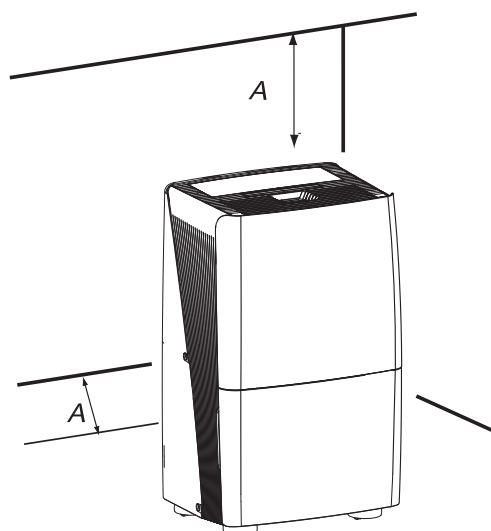
- Contactar a un electricista calificado;
- Asegurar que la instalación eléctrica sea adecuada y conforme al Código Eléctrico Nacional, al ANSI/NFPA 70- última edición y a todos los códigos y ordenanzas locales.

Las copias de las normas mencionadas se pueden obtener en:

Asociación Nacional de Protección contra el Fuego
1 Batterymarch Park
Quincy, Ma 02169-7471
www.nfpa.org

Requerimientos de ubicación

NOTA: Su modelo puede diferir del que se muestra acá.



A. 12" a 18" (30.5 a 45.7cm)

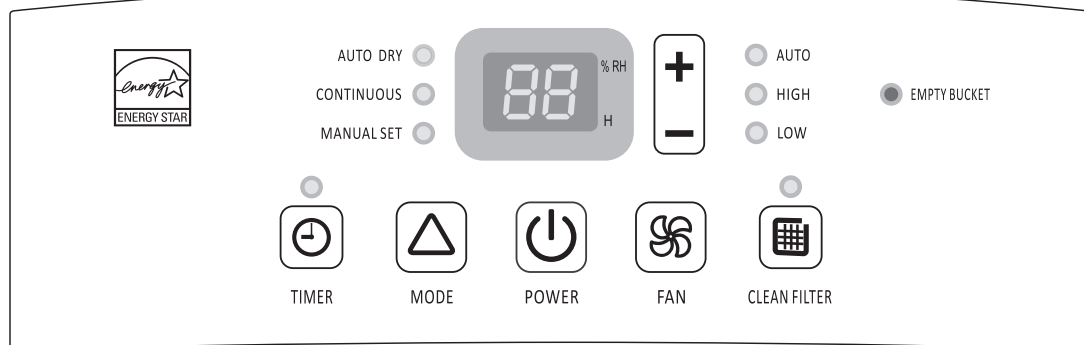
- No lo coloque en el exterior. Este deshumificador es sólo para uso interno y residencial. Este deshumificador no es recomendable para uso comercial.
- Deje al menos un espacio de 12 a 18" (30,5" cto - 4 m 5,7cm) en la parte posterior y en los laterales del deshumificador para los modelos con rejillas traseras y arriba del deshumificador para los modelos con rejillas en la parte superior.
- Necesitará una superficie lo suficientemente fuerte para soportar el peso del deshumificador cuando el balde esté lleno de agua.
- Necesitará una superficie lo suficientemente nivelada para que el agua no se derrame cuando el balde esté lleno.
- Mantenga todas las puertas, ventanas y otras aberturas cerradas cuando el deshumificador está en funcionamiento. El aire húmedo del exterior incrementará la carga de trabajo del deshumificador y el consumo de energía debido al funcionamiento continuo (el deshumificador nunca podrá alcanzar el punto de humedad establecido).
- Para evitar que se congele, instale el deshumificador en un área donde la temperatura no baje de los 38°F (3°C). Las temperaturas bajas provocarán que el rendimiento disminuya.
- No bloquee las rejillas de la unidad.
- Nunca opere el deshumificador en un área donde se acumula agua estancada. Si esto sucede, por su seguridad, desconecte el suministro eléctrico antes de pisar sobre el agua.

USO DEL DESHUMIFICADOR

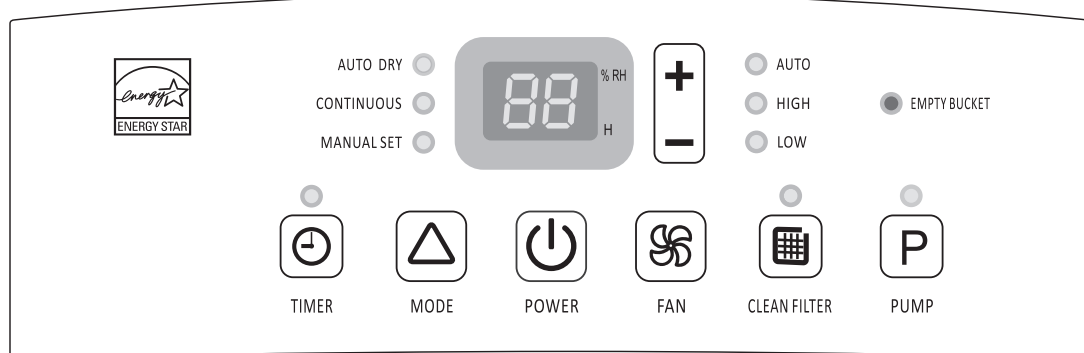
Configuración de los controles

Panel de control

Control tipo 1



Control tipo 2 (BOMBA)



NOTAS:

- El panel de control de su modelo puede diferir del que se muestra arriba.
- Puede que no se muestre en el panel el botón *PUMP* [BOMBA] si su modelo no tiene esta función.

- La temperatura de funcionamiento es entre 38°F - 90°F (3,2°C - 32,2°C).

Arranque/Parada del deshumificador

ADVERTENCIA: El deshumificador debería estar en posición vertical al menos 2 horas antes del uso.

NOTAS:

- Antes de encender el deshumificador, asegúrese de que el balde esté vacío y se adapte en el deshumificador.
- Cada vez que se desconecte el deshumificador o se corte la energía, los controles volverán a su configuración previa cuando vuelva la energía.
- La humedad que se muestra está entre un 30% y 90% de humedad relativa.
- La humedad se puede establecer entre 30% y 80% de humedad relativa.
- Es importante establecer el nivel de humedad deseada para un ajuste posible. Para garantizar un funcionamiento eficiente de energía, utilice el deshumificador sólo en espacios cerrados sin ventanas abiertas u otras fuentes de aire húmedo (para evitar el funcionamiento continuo).

⚠ ADVERTENCIA



Peligro de descarga eléctrica

Siempre conéctelo en un tomacorriente de 3 terminales con conexión a tierra. No quite la terminal con conexión a tierra. No utilice un adaptador. No utilice un cable de extensión. El incumplimiento de estas instrucciones puede causar la muerte, incendios o descargas eléctricas.

1. Conecte en un tomacorriente de 3 terminales con conexión a tierra.
2. Presione *POWER* para encender el deshumificador.
3. Presione *FAN* [Ventilador] para elegir la velocidad del ventilador.
4. Presione *MODE* [Modo] para elegir el modo.
5. Presione el botón más o menos para establecer el nivel de humedad.
6. Presione *POWER* para apagar el deshumificador.



NOTA: El deshumificador mantendrá la última configuración.

Luz **EMPTY BUCKET** [VACIAR BALDE]

Si esta luz está encendida, el deshumificador no está funcionando. Esta luz indica que necesita verificar lo siguiente:

- Si el balde está lleno, vacíelo y vuelva a colocar el balde.
- Si el balde no está en posición, quite el balde y vuelva a colocarlo. Asegúrese de que el balde se adapte en el deshumificador y que la luz esté apagada o el deshumificador no funcionará.

Velocidad del ventilador

1. Presione FAN [Ventilador] para seleccionar la velocidad del ventilador.
2. Elija Low [bajo], Auto o High [alto].



- **BAJO** - Alcanza el ajuste de humedad deseada con el nivel de sonido más bajo.
- **AUTO** - Logra el ajuste de humedad a una velocidad normal.
- **ALTO** - Alcanzará rápidamente el ajuste de humedad deseada.

NOTA:

Una vez que se alcance el punto de humedad establecida, el deshumificador dejará de funcionar continuamente y el ventilador se apagará periódicamente. El ventilador se puede encender periódicamente para leer el nivel de humedad sin que el compresor esté funcionando.

Modo humedad deseada

1. Presione MODE para seleccionar la configuración de humedad deseada.



2. Elija *Auto Dry* [Seco], *Continuous* [Continuo] o *Manual Set* [Ajuste manual].

- **AUTO DRY:** El deshumificador funcionará sólo en modo dry [Modo seco]. Se puede ajustar la velocidad del ventilador. La humedad deseada se establece automáticamente a 50%.
- **CONTINUOUS:** El deshumificador funcionará continuamente. Se puede ajustar la velocidad del ventilador. No se puede establecer la humedad deseada.
- **MANUAL SET:** El deshumificador funcionará en la velocidad del ventilador seleccionada para establecer el nivel de humedad.

Si el nivel de humedad de la habitación es más alto que el ajuste de la humedad deseada, el compresor se encenderá. Si el nivel de humedad de la habitación es más bajo que el ajuste de la humedad deseada, el compresor y el ventilador se apagarán.

NOTA:

Si hay bajas temperaturas, la función de antihielo apagará el compresor. Cuando el descongelador detecte la temperatura correcta, el compresor volverá a funcionar.

Es normal un poco de helada cuando el deshumificador se utiliza a bajas temperaturas.

Power

Presione POWER para encender o apagar el deshumificador.



Nivel de humedad

1. Presione el botón de Más o Menos para activar el programa de ajuste de humedad. Los dígitos en el panel digital parpadearán.
2. Presione nuevamente el botón Más o Menos para establecer el nivel de humedad deseada.



3. El panel digital dejará de parpadear cinco segundos después del ajuste y luego mostrará la humedad actual de la habitación.

NOTA:

La humedad sólo se puede ajustar manualmente en el modo *Manual Set*. En el modo *Continuous* o *Auto Dry*, el nivel de humedad se establece automáticamente.

Panel digital

El panel muestra la humedad relativa o el tiempo (depende del ajuste).

1. Cuando el deshumificador funciona en el modo *Manual Set*, el panel muestra la humedad relativa de la habitación.
2. Cuando se selecciona el temporizador, el panel muestra el tiempo en el que se encendió o se apagó el deshumificador, depende del ajuste.



NOTA:

La humedad que se muestra es sólo de referencia. Para una humedad más precisa, verifique el higrómetro.

Temporizador

Para establecer el Temporizador para un retraso de 30 minutos -24 horas antes de que se apague el deshumificador (el deshumificador debe estar encendido):

1. Presione TIMER [Temporizador]. La luz de indicación del temporizador se encenderá y el panel parpadeará. El panel mostrará el tiempo restante antes de que el deshumificador se apague.



2. Presione el botón de Más o Menos para cambiar el tiempo de retraso, desde 30 minutos hasta 24 horas.

Para establecer el Temporizador o encender el deshumificador con la configuración previa:

1. Apague el deshumificador.
2. Presione TIMER. La luz indicadora del temporizador parpadeará. El panel mostrará el tiempo restante antes de que el deshumificador se encienda.
3. Presione el botón de Más o Menos para cambiar el tiempo de retraso, desde 30 minutos hasta 24 horas.

Para eliminar el programa del temporizador de retraso:

NOTA: El deshumificador puede estar encendido o apagado.

1. Presione TIMER una vez después de que se haya programado. El panel mostrará el tiempo restante.
2. Mientras el panel muestra el tiempo restante, presione TIMER nuevamente. La luz indicadora del temporizador se apagará.

Para ver el tiempo restante:

Presione TIMER una vez después de que se haya programado. El panel mostrará el tiempo restante.

Limpieza del filtro

1. Cuando la luz CLEAN FILTER [Limpiar filtro] esté encendida, quite, limpie y reemplace el filtro de aire. Vea "Limpieza del filtro de aire".
2. Presione el botón CLEAN FILTER después de haber limpiado y reemplazado el filtro de aire para reiniciar el monitor del filtro.



NOTA:

Cuando la luz está encendida, permanecerá así por 360 horas o hasta que usted presione CLEAN FILTER. Después de 180 horas, se pagará automáticamente.

Pump (sólo para modelos con función de bomba)

Esta función bombea agua de manera horizontal y vertical.

Bombea el agua hacia un desagüe, por una ventana o donde considere adecuado.

IMPORTANTE:

Debe conectar una manguera de drenaje a la unidad antes de presionar el botón Pump, de lo contrario, la bomba no funcionará. Vea "Bomba de drenaje" para sus instrucciones.

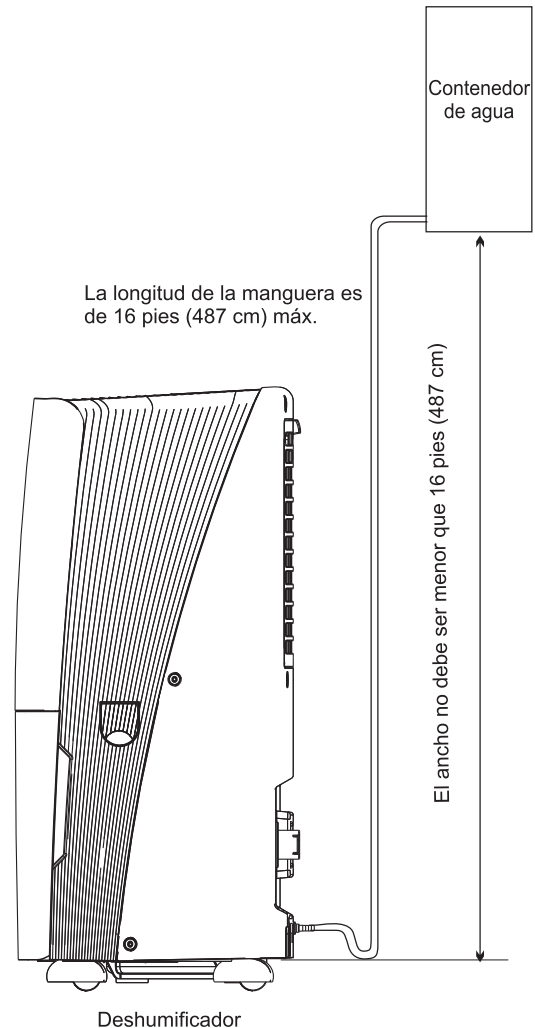


1. Presione PUMP para activar el sistema de bombeo y activar el drenaje.
2. Una vez que se presiona el botón, la luz de Pump se encenderá.

NOTA:

- Si la luz de la bomba parpadea, significa que la bomba no está funcionando correctamente.
- Si la manguera de drenaje no está conectada correctamente a la unidad o está doblada, la luz de la bomba parpadeará y el sistema de bombeo no funcionará. Vea la sección de "Solución de problemas" para instrucciones.

Sitio para instalar la manguera en la función Bomba:



Drenaje del deshumificador

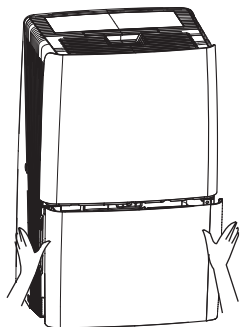
ADVERTENCIA

Riesgo de enfermedades
No beba el agua que se acumula en el balde.
Hacerlo puede provocar enfermedades.

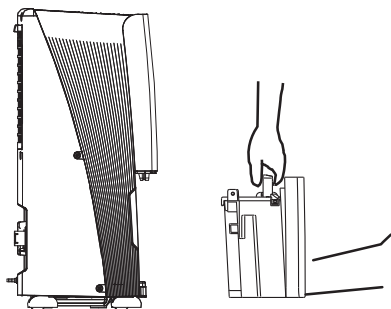
Opción 1 - Drenaje por balde

Si no hay un piso de drenaje disponible, o no tiene pensado hacer funcionar el deshumificador de manera continua, sólo necesita vaciar el balde.

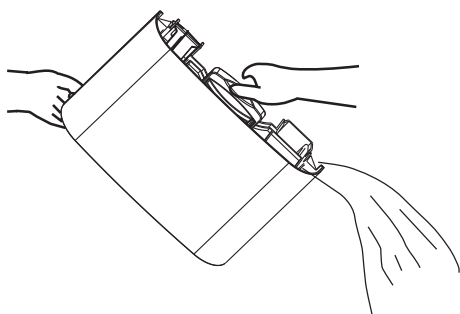
1. Agarre los laterales del balde para sacarlo.



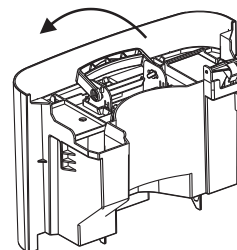
2. Agarre la manija y el fondo del balde para levantarlo.



3. Vierta el agua en un lavabo o en una bañera.



4. Incline la manija y vuelva a colocar el balde.



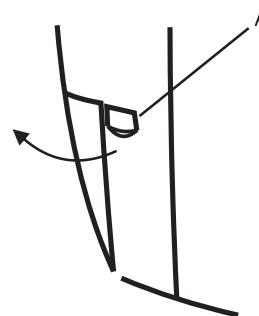
Importante:

Si la luz EMPTY BUCKET [Vaciar balde] está encendida, el deshumificador no funcionará. Puede que se necesite vaciar o acomodar el balde.

Opción 2 - Drenaje por gravedad

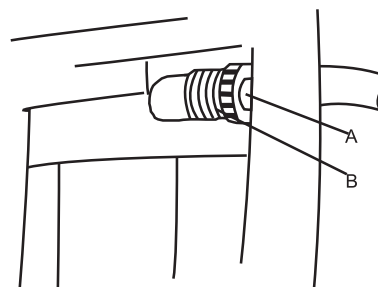
Si decide hacer funcionar el deshumificador de manera continua, puede elegir el drenaje directo al añadir una manguera a la unidad.

1. Destape el cobertor del conector en el lateral de la unidad.



2. Quite el balde.
3. Añada la manguera al conector de la manguera de drenaje dentro del deshumificador. Añada firmemente la manguera para asegurarse de que no se produzcan fugas de agua.

NOTA: La manguera de jardín se vende por separado.
NOTA: La conexión está diseñada sólo para el mercado de mangueras de Norteamérica.

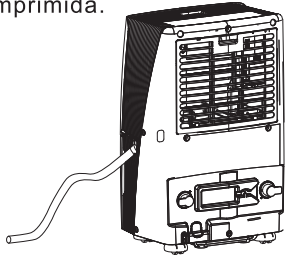


A. Manguera de jardín
B. Conector de la manguera de drenaje

IMPORTANTE:

En la zona Norte, los conectores para las mangueras de jardín son de 3/4" de diámetro recto (no cónica) con un extremo de 11,5 roscas por pulgada (la parte macho tiene un diámetro externo de 1 1/6 pulgadas (26,99 cm)).

4. Coloque el otro extremo de la manguera en el piso de drenaje. Compruebe que la manguera esté plana en el drenaje. Asegúrese de que el extremo de la manguera vaya hacia un nivel inferior que el extremo de la manguera conectada al deshumificador. La manguera no debe estar torcida o comprimida.



5. Vuelva a colocar el balde.

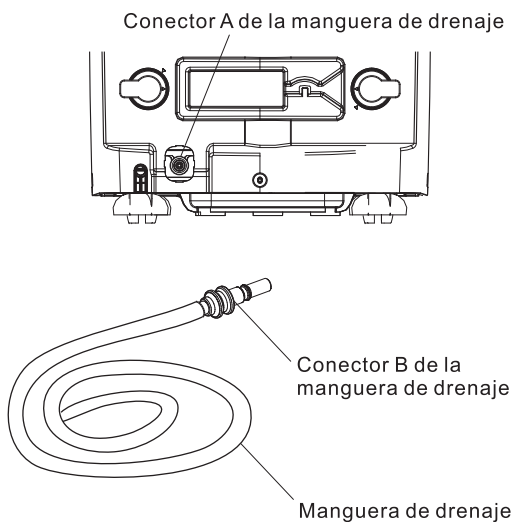
NOTAS:

- Para utilizar el balde sin la manguera, quite la manguera y vuelva a colocar el balde.
- El balde debe estar colocado y alineado con el deshumificador para que funcione con o sin la manguera conectada.

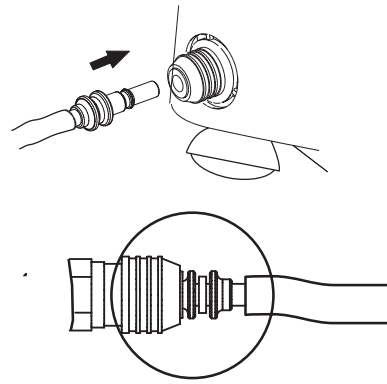
Opción 3 - Bomba de drenaje (sólo para modelos con función de bomba)

Esta función puede bombear el agua de manera vertical u horizontal hacia un desagüe, por una ventana o donde considere adecuado.

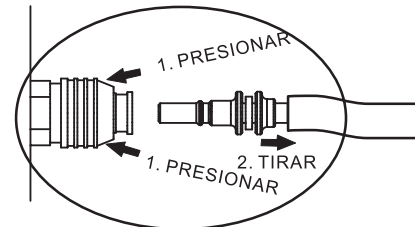
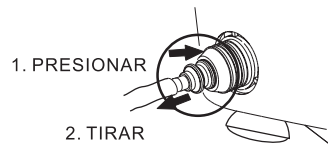
NOTA: Debe conectar la manguera de drenaje (con el conector B) al conector A antes de presionar el botón *Pump*. Si la bomba no funciona correctamente, vea la sección "Solución de problema" para instrucciones.



1. Para conectar la manguera de drenaje a la unidad, presione el conector B de la manguera de drenaje en el conector A.

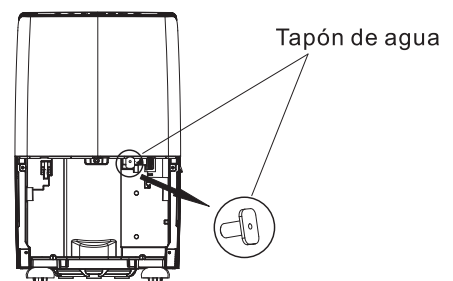


2. Para desconectar la manguera de drenaje, presione el conector A y luego tire del conector B.



Cómo desconectar

NOTA: Si no se utiliza la unidad por cierto período de tiempo, quite el tapón de agua como se muestra en la imagen y drene completamente el deshumificador.



IMPORTANTE: Antes de operar el deshumificador, asegúrese de que el tapón de agua esté puesto; de lo contrario, la función de manguera de drenaje y la bomba no funcionarán correctamente.

Sonidos normales

Cuando el deshumificador funciona de manera normal puede escuchar ruidos como:

- Sonidos del compresor, que pueden ser altos.
- Movimiento del aire desde el ventilador.
- Sonidos de la bomba, que pueden ser altos.
- Sonidos de "clic" cuando el deshumificador o el compresor se prenden o se apagan o cuando funciona el corte automático.

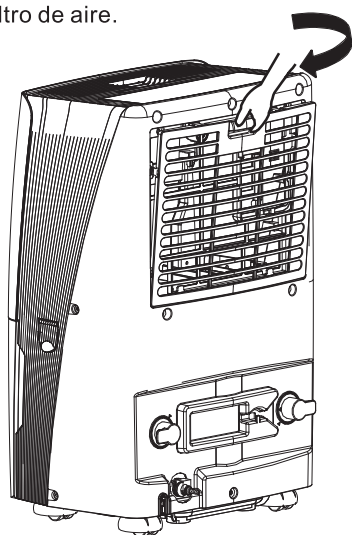
CUIDADO DEL DESHUMIFICADOR

El nuevo deshumificador está diseñado para brindarle muchos años de servicio. Esta sección explica cómo realizar la limpieza y el cuidado del deshumificador.

Limpieza del filtro de aire

El filtro de aire se puede sacar para poder limpiarlo fácilmente. Un filtro limpio ayuda a eliminar el polvo, la pelusa y otras partículas del aire y, además, es importante para un funcionamiento eficiente. Compruebe el filtro de aire cada dos semanas para ver si necesita una limpieza.

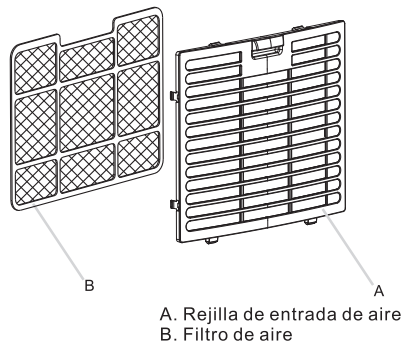
1. Apague el deshumificador.
2. Quite la rejilla de entrada de aire.
3. Quite el filtro de aire.



4. Utilice una aspiradora para limpiar el filtro. Si el filtro está sucio, lávelo con agua tibia y detergente suave.

NOTAS:

- No lave el filtro en el lavavajillas y no utilice limpiadores químicos. Deje secar el filtro antes de colocarlo para garantizar una máxima eficiencia.
- 5. Vuelva a colocar el filtro de aire y la rejilla de entrada de aire.
- 6. Encienda el deshumificador.



Limpieza del deshumificador

Exterior

NOTA:

1. Apague el deshumificador y desconecte el cable de alimentación.
2. Limpie la superficie de la unidad con un paño suave o con el plumero de la aspiradora.

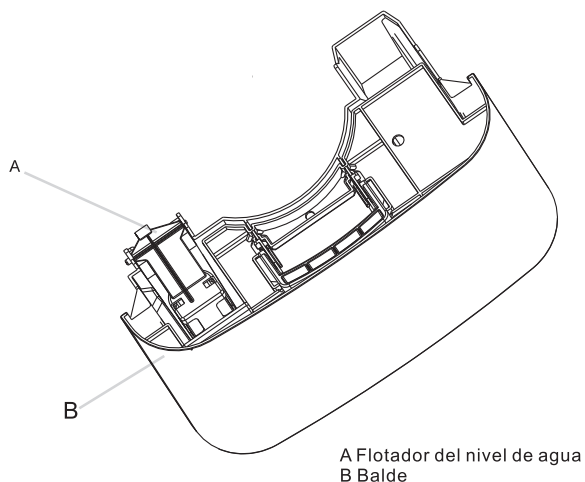
NOTA: Asegúrese de que el flotador esté correctamente en el lugar.

Balde de agua

Cada varias semanas, lave el interior del balde con detergente suave para evitar el crecimiento de moho, hongos y bacterias.

Flotador del nivel de agua

El balde de agua del deshumificador tiene una luz EMPTY BUCKET y un flotador para el nivel de agua. El balde debe estar alineado correctamente para que el flotador y la luz EMPTY BUCKET funcionen.



SOLUCIÓN DE PROBLEMAS

Antes de llamar al servicio, intente las siguientes sugerencias.

El deshumificador no funciona

- ¿El deshumificador está encendido?

Encienda el deshumificador.

⚠ ADVERTENCIA



Peligro de descarga eléctrica

Conéctelo en un tomacorriente de 3 terminales con conexión a tierra.
No quite la terminal con conexión a tierra.
No utilice un adaptador.
No utilice un cable de extensión.
El incumplimiento de estas instrucciones puede causar la muerte, incendios o descargas eléctricas

- ¿El cable de alimentación está conectado a un tomacorriente de 3 terminales con conexión a tierra?

Conéctelo en un tomacorriente de 3 terminales con conexión a tierra. Vea "Requerimientos eléctricos".

- ¿El fusible de la casa se fundió o el disyuntor saltó?

Reemplace el fusible o reinicie el disyuntor.
Si el problema continua, llame a un electricista.
Vea "Requerimientos eléctricos"

- ¿El balde está instalado correctamente?

Vuelva a colocar el balde para que se adapte en el deshumificador.

- ¿El balde necesita vaciarse?

Vacíe el balde.

- ¿El flotador del nivel de agua está en el lugar?

Quite el balde. Asegúrese de que el flotador esté en el lugar. Vuelva a colocar el balde.

El deshumificador funciona pero no deshumifica

- **Todos los modelos tienen la función de antihielo que detienen el compresor y dejan que el ventilador funcione.**

Cuando el descongelador detecta una temperatura correcta, el compresor volverá a funcionar.

- **¿El control está establecido en continuo?**

Si seleccionó Continuous, el deshumificador funcionará continuamente. Si el nivel de humedad de la habitación es bajo o poco, no se podrá juntar agua.

- **El filtro está sucio u obstruido por residuos.**

Limpie el filtro.

El aire que proviene del deshumificador es cálido

- **El deshumificador sacará aire tibio durante las condiciones de funcionamiento normal.**

Códigos de error del deshumificador

- **Si el deshumificador muestra un código de error, contacte al servicio al cliente de Hisense al 1-877-465-3566.**

El sistema de bombeo no funciona

¿La luz indicadora de la bomba parpadea?

1. Compruebe y asegúrese de que la manguera de drenaje está correctamente conectada a la unidad.
2. Presione el botón POWER para apagar la unidad. Reinicie la unidad presionando el botón POWER nuevamente.

