

# QUICKSTART

## Portable Air Conditioner

# Hisense



### Electrical Shock Hazard

- Plug into a grounded 3 prong outlet.
- Do not remove ground prong.
- Do not use an adapter.
- Do not use an extension cord.

Failure to follow these instructions can result in death, fire, or electrical shock.



Keep unit upright at least 2 hours prior to use.

### Parts Package

Before beginning, check that all parts are included in the parts package.

- non-adhesive foam seal
- adhesive foam seal (2)
- adhesive foam seal (2)
- coupling
- flexible exhaust hose
- window exhaust adapter
- window-lock bracket(2)
- outer slider section with vent
- inner slider section-short
- inner slider section
- outer slider section
- Drain hose clip (Heat pump models)
- Drain hose (Heat pump models)
- rivets (2)
- wood screws(4)

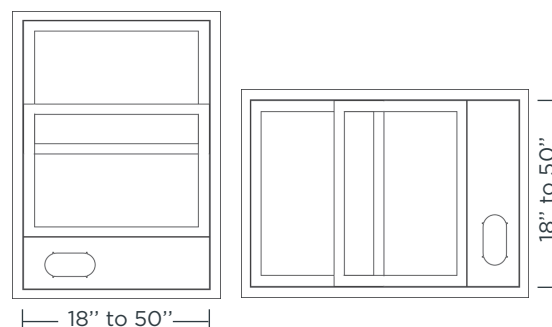
### Tools needed

- Phillips screwdriver
- Pencil
- Scissors

## step 1

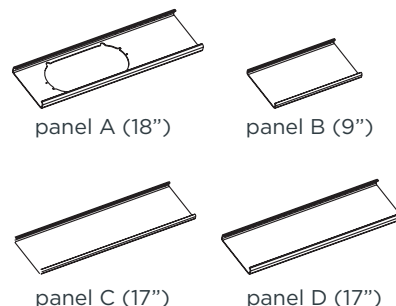
### Suitable Windows

The window installation kit allows you to install the air conditioner in most vertical-sliding windows 18" to 50" wide, or horizontal-sliding windows from 18" to 50" high.



Choose the right panel

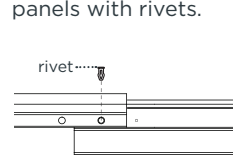
Panel window	A 18"	B 9"	C 17"	D 17"
18"	✓			
19"-26"	✓	✓		
27"-34"	✓		✓	
35"-50"	✓		✓	✓



## step 2

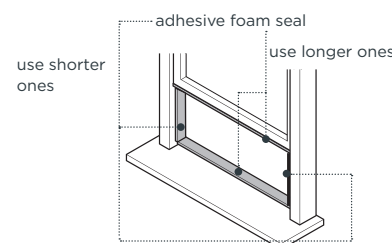
### Install Window

If your window length requires more than 2 panels, after adjust the length, please secure the panels with rivets.



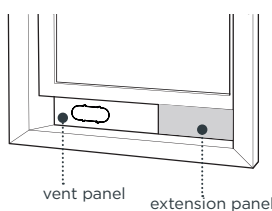
### 1

Cut the adhesive foam seal to the proper length, and attach it to the window sash and frame.



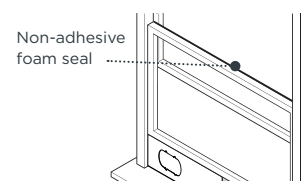
### 2

Insert the vent panel assembly, including extension panels, into the window opening. Extend the extension panels, if used.



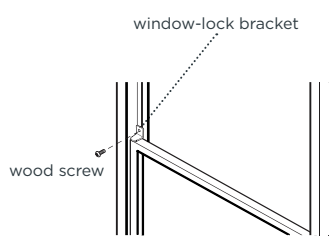
### 3

Cut the Non-adhesive foam seal to the window width. Stuff the foam seal between the glass and the window to prevent air and insects from getting into the room.



### 4

Install the Window-lock bracket with wood screws as shown, if you need.



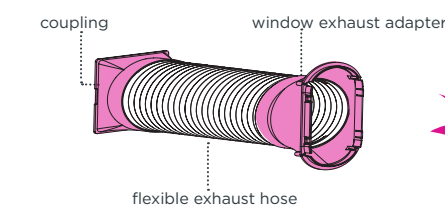
## step 3

### Connect it together

### 1

#### Install Exhaust Hose and Adapter

Attach the coupling to the flexible exhaust hose. Turn counter-clockwise until securely locked into place.

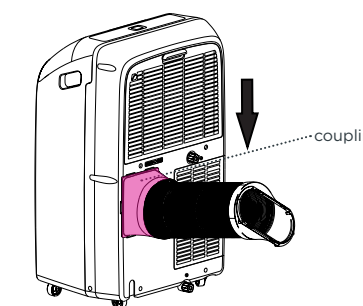


Attach the window exhaust adapter to the flexible exhaust hose. Turn counter-clockwise until securely locked into place.

### 2

#### Connect The Hose To The Air Conditioner

Insert the coupling into the slot on the back of the air conditioner. Slide down to lock the hose into place.



### 5

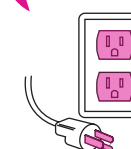
#### Turn The Unit On

Turn the air conditioner on, and set the desired mode and temperature.

### 4

#### Plug In the Unit

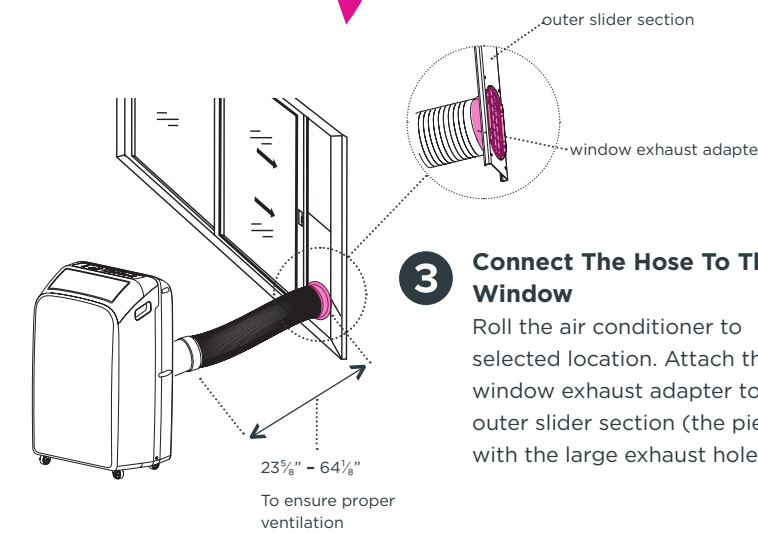
Be sure to use a grounded 3 prong outlet. Do not use an extension cord. Plug in the unit.



### 3

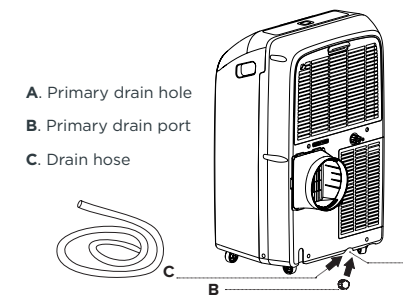
#### Connect The Hose To The Window

Roll the air conditioner to selected location. Attach the window exhaust adapter to the outer slider section (the piece with the large exhaust hole).



### Draining the Air Conditioner (Heat Pump models only)

1. Uncover the primary drain port.
2. Attach the drain hose to the primary drain port. Make sure the connector does not have a water leak.
3. Place the other end of drain hose into a drain. Check to see that the hose lies flat and is in the drain. Make sure the hose end that goes to the drain is on a lower level than the hose end that connects to the unit. The hose should not be kinked or pinched.



### See the user manual for detailed instruction on installation and using the features and settings of the air conditioner and remote control.

For questions about features, operation/performance, parts or service,

Call: 1-877-465-3566

Monday to Friday: 9:00 a.m. - 6:00 p.m. (EST) or Visit: [www.hisense-usa.com](http://www.hisense-usa.com)

The figures in this manual are based on the external view of a standard model. They may differ from that of the air conditioner you have selected.