

# Hisense

2.5  
CU.FT.

SINGLE DOOR  
COMPACT REFRIGERATOR

Model LMS026M6RBE



- 2L Beverage Storage
- Energy Star Certified
- Reversible Door to open left or right, based on your needs
- Adjustable Legs for easy installation
- Adjustable Temperature Control
- All-Refrigerator Design for extra storage for fresh food
- Low Noise
- Modern & Ergonomic Design of door handle



**2L Beverage Storage**



**Removable Glass Shelf**



**Reversible Door**



**Adjustable Legs**



**Adjustable Temperature Control**

## Compact Design with Ultimate Capacity

This energy star 2.5 cu. ft. black mini fridge LMS026M6RBE is perfect for college dorms, break rooms, or just extra storage for your home and office space. The adjustable legs and reversible door design allow for placement of this mini refrigerator virtually anywhere you need. The sleek and fashionable All-Fridge design does not compromise its functionality. This model has convenient storage shelves on the door for a 2-Liter bottle as well as extra space for single-serve yogurt or other condiments/snacks. Removable fresh-food glass shelf provides storage for larger items to efficiently utilize interior capacity

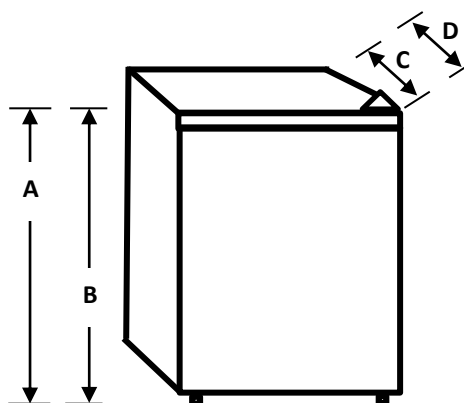
#### TECHNICAL SPECIFICATIONS

Performance	
Model#	LMS026M6RBE
Total Capacity (cu. ft)	2.5
Refrigerator/ Freezer Capacity (cu. ft)	2.5/0.0
Energy Efficiency Class	Energy Star
Power Consumption (kWh/year)	254
Noise Level (dB(A))	43
Electrical	
Voltage / Frequency / Amps	115V/ 60 Hz / 1.0A
General Features	
Temperature Control	Mechanical
Defrosting	Manual
Lock	none
Energy Saver/Safety	Yes/ETL
Color	Black
Number of Doors	1
Reversible Doors	Yes
Flat-Back Design	Yes
Handle	Recessed
Foam Blowing Agent	Cyclopentane
Refrigerant	R600a
Adjustable Legs	Yes
Lighting	N/A
Refrigeration Compartment	
Temperature Range	36-46F°
Multi-flow Air	No
Door Basket/Bin	2 bins (1 bin for 2L bottle)
Shelves	3 glass shelves
Basket	No
Shipping Information	
Carton Dimensions (WxDxH)(in.)	18.4X 19.1 X 28.5
Net Weight/Gross Weight (lbs.)	36/40
UPC Code	00810088361005

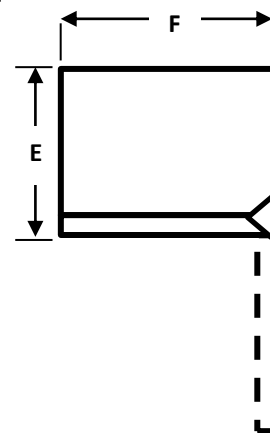
#### INSTALLATION DIMENSION

Overall Dimension	Height to top of hinge(in.) <b>A</b>	27.3
	Height to top of case(in.) <b>B</b>	27.0
	Depth without door(in.) <b>C</b>	16.5
	Depth with door(in.) <b>D</b>	18.5
	Depth with fresh door open 90-degree (in.) <b>E</b>	34.6
	Width(in.) <b>F</b>	17.5
Clearance Air	Each side(in.)	4
	Top(in.)	4
	Back(in.)	3

**FRONT VIEW**



**TOP VIEW**



All product, product specifications, and data are subject to change without notice to improve reliability, function, design or otherwise.  
©2022 Hisense USA. All rights reserved.

Hisense USA Corporation  
7310 McGinnis Ferry Road, Suwanee, GA. 30024  
1-877-465-3566  
[www.hisense-usa.com](http://www.hisense-usa.com)