



- 2L Beverage Storage
- Energy Star Certified
- Reversible Door to open left or right, based on your needs
- Adjustable Legs for easy installation
- Adjustable Temperature Control
- All-Refrigerator Design for extra storage for fresh food
- Low Noise
- Modern & Ergonomic Design of door handle



2L Beverage Storage



Removable Glass Shelf



Reversible Door



Adjustable Legs



Adjustable Temperature Control

Compact Design with Ultimate Capacity

This energy star 1.6 cu. ft. black mini fridge LMS016M6RBE is perfect for college dorms, break rooms, or just extra storage for your home and office space. The adjustable legs and reversible door design allow for placement of this mini refrigerator virtually anywhere you need. The sleek and fashionable fridge All-Fridge design does not compromise its functionality. This model has convenient storage shelves on the door for a 2-Liter bottle as well as extra space for single-serve yogurt or other condiments/snacks. Removable fresh-food glass shelf provides storage for larger items to efficiently utilize interior capacity

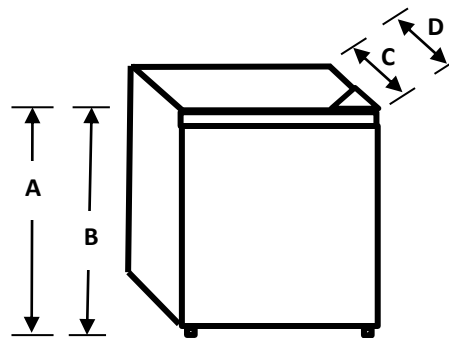
TECHNICAL SPECIFICATIONS

| Performance | |
|---|-----------------------------|
| Model# | LMS016M6RBE |
| Total Capacity (cu. ft) | 1.6 |
| Refrigerator/ Freezer Capacity (cu. ft) | 1.6/0.0 |
| Energy Efficiency Class | Energy Star |
| Power Consumption (kWh/year) | 246 |
| Noise Level (dB(A)) | 43 |
| Electrical | |
| Voltage / Frequency / Amps | 115V/ 60 Hz / 1.0 A |
| General Features | |
| Temperature Control | Mechanical |
| Defrosting | Manual |
| Lock | none |
| Energy Saver/Safety | Yes/ETL |
| Color | Black |
| Number of Doors | 1 |
| Reversible Doors | Yes |
| Flat-Back Design | Yes |
| Handle | Recessed |
| Foam Blowing Agent | Cyclopentane |
| Refrigerant | R600a |
| Adjustable Legs | Yes |
| Lighting | N/A |
| Refrigeration Compartment | |
| Temperature Range | 36-46F° |
| Multi-flow Air | No |
| Door Basket/Bin | 2 bins (1bin for 2L bottle) |
| Shelves | 1 glass shelf |
| Basket | No |
| Shipping Information | |
| Carton Dimensions (WxDxH)(in.) | 18.4X 19.1 X 21.0 |
| Net Weight/Gross Weight (lbs.) | 27/31 |
| UPC Code | 00810088360992 |

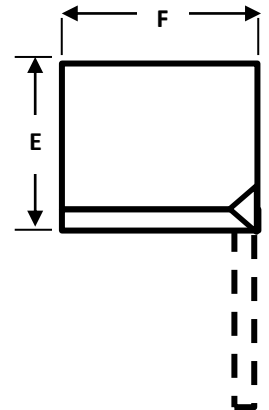
INSTALLATION DIMENSION

| | | |
|-------------------|---|------|
| Overall Dimension | Height to top of hinge(in.) A | 19.9 |
| | Height to top of case(in.) B | 19.6 |
| | Depth without door(in.) C | 16.5 |
| | Depth with door(in.) D | 18.5 |
| | Depth with fresh door open 90-degree (in.) E | 34.6 |
| | Width(in.) F | 17.5 |
| Air Clearance | Each side(in.) | 4 |
| | Top(in.) | 4 |
| | Back(in.) | 3 |

FRONT VIEW



TOP VIEW



All product, product specifications, and data are subject to change without notice to improve reliability, function, design or otherwise.
©2022 Hisense USA. All rights reserved.

Hisense USA Corporation
7310 McGinnis Ferry Road, Suwanee, GA. 30024
1-877-465-3566
www.hisense-usa.com