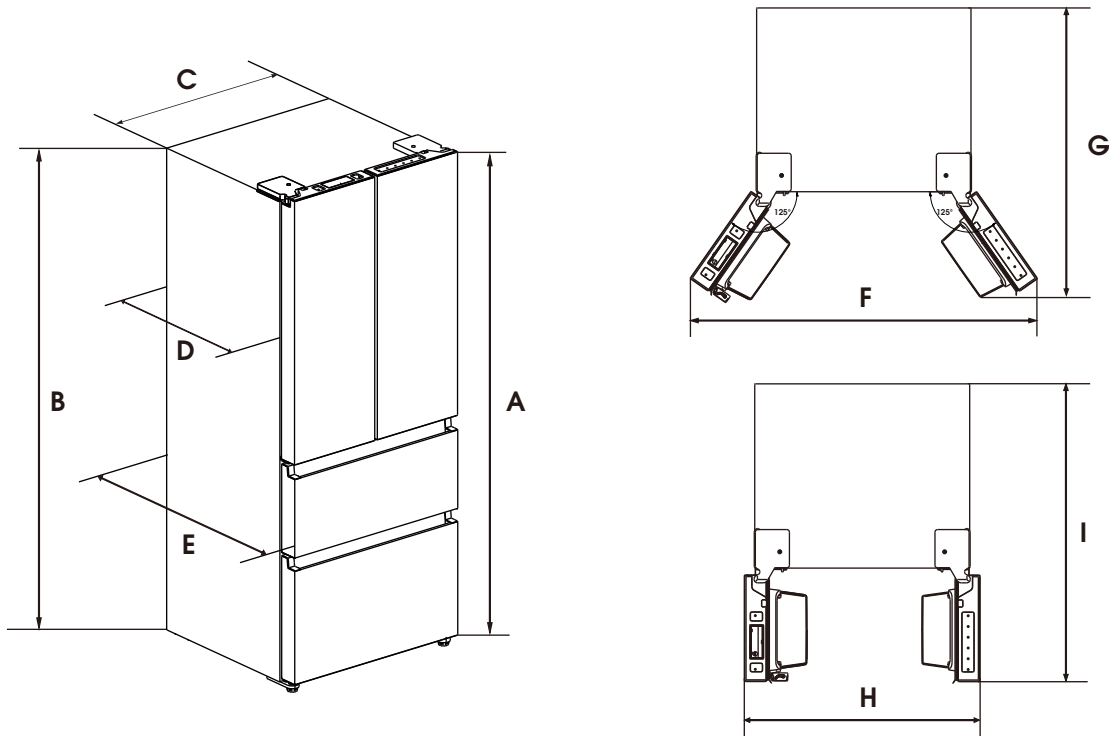


French Door Refrigerator

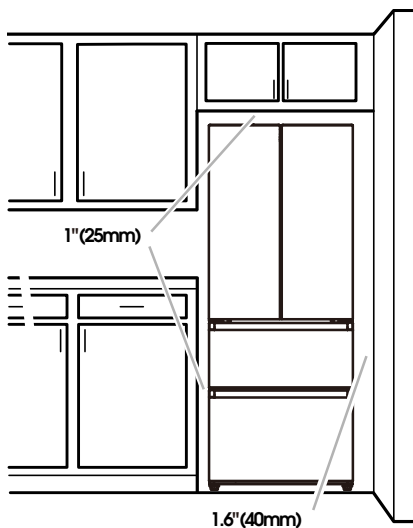
PRODUCT DIMENSIONS

Hisense



Model	Capacity	Height-Overall "A"	Height-Top of Cabinet "B"	Width-Cabinet "C"	Depth-Cabinet "D"	Depth-with Door "E"	Width-Doors Open 125° "F"	Depth-Doors Open 125° "G"	Width-Doors Open 90° "H"	Depth-Doors Open 90° "I"
HRM145N6AVD	14.8 cu.ft	70.3" (1785mm)	69.3" (1760mm)	27.7" (704mm)	23.6" (600mm)	27.3" (694mm)	44.6" (1132mm)	37.5" (953mm)	30.3" (768mm)	38.2" (969mm)

LOCATION REQUIREMENTS



To ensure proper ventilation for your refrigerator, allow for a 1"(25mm) space on each side and at the top. Allow at least 2.0"(51mm) between back of cabinet and the wall. If your refrigerator has an ice maker, allow extra space at the back for the water line connections.

If you are installing your refrigerator next to a fixed wall, leave 1.6"(40mm) minimum on the hinge side (some models require more) to allow for the door to swing open.

NOTE: This refrigerator is intended for use in a location where the temperature ranges from a minimum of 55°F(13°C) to a maximum of 110°F(43°C).