

The Hisense logo is rendered in a bold, italicized, sans-serif typeface. The letters are black and set against a light gray background. The background features a large, stylized circular graphic composed of several overlapping, curved bands in varying shades of gray, creating a sense of motion and depth. The logo is positioned in the upper left quadrant of the page.

# ***Hisense***

## USE AND INSTALLATION INSTRUCTIONS

**Model:** AW1221DR3W  
AW1521CW1W  
AW1821CW3W  
AW2521CW3W

For questions about features, operation/performance, parts or service,  
call: 1-877-465-3566

---

# TABLE OF CONTENTS

AIR CONDITIONER SAFETY	2
INSTALLATION REQUIREMENTS	3
Electrical Requirements	3
Tools and Parts	4
Unpack the Air Conditioner	4
Location Requirements	5
INSTALLATION INSTRUCTIONS	6
Prepare Air Conditioner for Installation	6
Window Air Conditioner Installation	7
Complete Installation	10
AIR CONDITIONER USE	10
Starting Your Air Conditioner	11
Using the Remote Control	13
Changing Air Direction	14
Exhaust Air Vent	14
Normal Sounds	14
AIR CONDITIONER CARE	15
Cleaning the Air Filter	15
Cleaning the Front Panel	15
Repairing Paint Damage	15
Annual Maintenance	15
TROUBLESHOOTING	16

---

# AIR CONDITIONER SAFETY

## You safety and the safety of others are very important.

We have provided many important safety messages in this manual and on your appliance. Always read and obey all safety messages.



This is the safety alert symbol.

This symbol alerts you to potential hazards that can kill or hurt you and others.

All safety messages will follow the safety alert symbol and either the word "DANGER" or "WARNING".

These words mean:

 **DANGER**

**You can be killed or seriously injured if you don't immediately follow instructions.**

 **WARNING**

**You can be killed or seriously injured if you don't follow instructions.**

All safety messages will tell you what the potential hazard is, tell you how to reduce the chance of injury, and tell you what can

## IMPORTANT SAFETY INSTRUCTIONS

**WARNING:** To reduce the risk of fire, electrical shock or injury when using your air conditioner, follow these basic precautions:

- Plug into a grounded 3 prong outlet.
- Do not use an extension cord.
- Do not remove ground prong.
- Unplug air conditioner before servicing.
- Do not use an adapter.
- Use two or more people to move and install air conditioner.

## SAVE THESE INSTRUCTIONS

## DISPOSING OF THE UNIT

- Before throwing the device, it is necessary to pull back the battery cells and get rid of them safely for recycling reasons.
- When you need to disposal of the unit consult our dealer. If pipes are removed incorrectly, refrigerant may blow out and come into contact with your skin, causing injury. Releasing refrigerant into the atmosphere also damages the environments.
- please recycle or dispose of the packaging material for product in an environmentally responsible manner.
- Never store or ship the air conditioner upside down or sideways to avoid damage to the compressor .
- This appliance is not intended for use by persons (including children) with reduced physical, sensory or mental capabilities, or lack of experience and knowledge, unless they have been given supervision or instruction concerning use of the appliance by a person responsible for their safety.  
Children should be supervised to ensure that they do not play with the appliance.
- The wiring diagram is shown at nameplate on the air conditioner.



**WARNING**

**Risk of Fire or Explosion. This unit contains flammable refrigerant. Additional safety precautions must be followed.**

- Do not use means to accelerate the defrosting process or to clean, other than those recommended by the manufacturer.
- When handling, installing, and operating the appliance, care should be taken to avoid damage to the refrigerant tubing.
- The appliance shall be stored in a room without continuously operating ignition sources (for example: open flames, an operating gas appliance or an operating electric heater).
- Do not drill holes in the unit.
- Do not pierce or bump refrigerant tubing. Be aware that refrigerants may not contain an odor.
- Maintenance, cleaning, and service should only be performed by technicians properly trained and qualified in the use of flammable refrigerants.
- Keep ventilation openings clear of obstruction.
- Dispose of air conditioner in accordance with Federal and Local Regulations. Flammable refrigerants require special disposal procedures. Contact your local authorities for the environmentally safe disposal of your air conditioner.
- The maximum refrigerant charge amount is shown at nameplate on the air conditioner.
- The appliance shall be stored so as to prevent mechanical damage from occurring.

# INSTALLATION REQUIREMENTS

## Electrical Requirements

### WARNING



#### Electrical Shock Hazard

Plug into a grounded 3 prong outlet.

Do not remove ground prong.

Do not use an adapter.

Do not use an extension cord.

Failure to follow these instructions can result in death, fire, or electrical shock.

### Wiring requirement

208/230 V (187.2 V min. to 253 V max.)  
18 A time-delay fuse or circuit breaker for  
12K cooling and heating

115 V (103.5 V min. to 126.5 V max.)  
15 A time-delay fuse or circuit breaker for  
15K cooling only

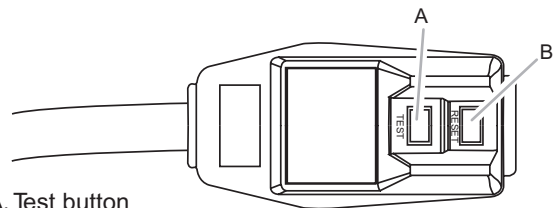
208/230 V (187.2 V min. to 253 V max.)  
15 A time-delay fuse or circuit breaker for  
18K cooling only

208/230 V (187.2 V min. to 253 V max.)  
20 A time-delay fuse or circuit breaker for  
25K cooling only

### Recommended Grounding Method

This air conditioner must be grounded. This air conditioner is equipped with a power supply cord with a three-prong grounding plug. The cord must be plugged into a mating, grounded three-prong outlet, grounded in accordance with all local codes and ordinances. If a mating outlet is not available, it is the customer's responsibility to have a properly grounded three-prong outlet installed by a qualified electrical installer.

### Power Supply Cord



A. Test button  
B. Reset button

#### NOTE:

Your air conditioner's device may differ from the one shown. This room air conditioner is equipped with a power supply cord required by UL. This power supply cord contains state-of-the-art electronics that sense leakage current. If the cord is crushed, the electronics detect leakage current and power will be disconnected in a fraction of a second.

#### To test your power supply cord:

1. Plug power supply cord into a grounded 3 prong outlet.
2. Press RESET (on some devices, a green light will turn on).
3. Press TEST (listen for click; Reset button will trip, and on some devices, a green light will turn off).
4. Press and release RESET (listen for click; Reset button will latch, and on some devices, a green light will turn on). The power supply cord is ready for operation.

#### NOTE:

- The Reset button must be pushed in for proper operation.
- The power supply cord must be replaced if it fails to trip when the test button is pressed or fails to reset.
- Do not use the power supply cord as an off/on switch. The power supply cord is designed as a protective device.
- A damaged power supply cord must be replaced with a new power supply cord obtained from the product manufacturer and must not be repaired.
- The power supply cord contains no user serviceable parts. Opening the tamper-resistant case voids all warranty and performance claims.

### It is the customer's responsibility:

To contact a qualified electrical installer.

To assure that the electrical installation is adequate and conforms to the Nation Electrical Code, ANSI/NFPA 70-last edition, and all local codes and ordinances.

Copies of the standards listed may be obtained from:  
Nation Fire Protection Association  
1 Batterymarch Park  
Quincy, Ma 02169-7471  
www.nfpa.org

## Tools and Parts

Gather the required tools and parts before starting installation. Read and follow the instructions provided with any tools listed here.

### Parts supplied

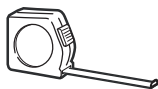
Check that all parts are included in parts package.

### Tools needed

- Phillips screwdriver



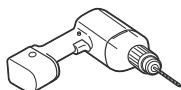
- Tape measure



- Scissors



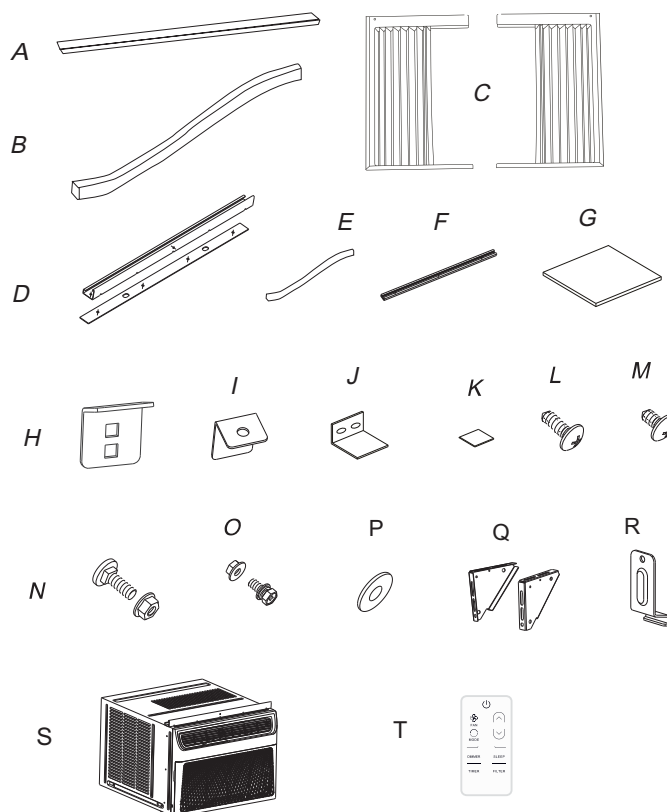
- Cordless drill and 1/8" bit



- Level



- Pencil



- |                                    |   |   |
|------------------------------------|---|---|
| A. Adhesive seal                   | I. Lock frame<br>(for Vinyl-Clad windows)(2)    | O. 1/2 " Long Bolt<br>and Locknut (4)     |
| B. Foam seal                       | J. Sash lock                                    | P. Washer(2)                              |
| C. Side curtains (2)               | K. EPDM foam seal(2)                            | Q. Left and Right Support<br>Brackets (2) |
| D. Top channel and<br>PE foam seal | L. 3/4 " screws (8)                             | R. Lock frame                             |
| E. PE foam seal                    | M. 1/4 " screws (10)                            | S. Air conditioner                        |
| F. Baffle (2)                      | N. 3/4 " Long Flat Head<br>Bolt and Locknut (2) | T. Remote control                         |
| G. EVA Foam(2)                     |   |   |
| H. Angle Brackets (2)              |   |   |

### NOTE:

The F. Baffle (2), G. EVA Foam(2) is not provide for 12K cooling and heating

The R. Lock frame is only provide for 12K cooling and heating

## Unpack the Air Conditioner

### ⚠ WARNING

#### Excessive Weight Hazard

Use two or more people to move and install air conditioner.

Failure to do so can result in back or other injury.

### Remove packaging materials

- Remove and dispose of/recycle packaging materials. Remove tape and glue residue from surfaces before turning on the air conditioner. Rub a small amount of liquid dish soap over the adhesive with your fingers. Wipe with warm water and dry.
- Do not use sharp instruments, rubbing alcohol, flammable fluids, or abrasive cleaners to remove tape or glue. These products can damage the surface of your air conditioner.
- Handle the air conditioner gently.
- Remove top rail from the packaging material.

# Location Requirements

## Before You Begin

Read these instructions completely and carefully.

- **IMPORTANT:** Save these instructions for local inspector's use.
- **IMPORTANT:** Observe all governing codes and ordinances.
- **Note to Installer:** Be sure to leave these instructions with the Consumer.
- **Note to Consumer:** Keep these instructions for future reference.
- **Skill level:** Installation of this appliance requires basic mechanical skills.
- **Completion time:** Approximately 1 hour.
- We recommend that two people install this product.
- Proper installation is the responsibility of the installer.
- Product failure due to improper installation is not covered under the Warranty.
- You **MUST** use all supplied parts and use proper installation procedures as described in these instructions when installing this air conditioner.

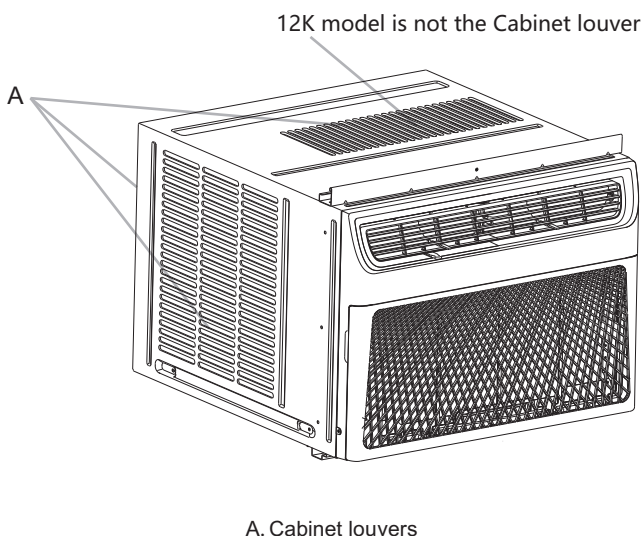
**IMPORTANT:** Observe all governing codes and ordinances.

Check the location where air conditioner will be installed. Proper installation is your responsibility. Make sure you have everything necessary for correct installation.

The location should provide:

- Do not use an extension cord. The appliance shall be installed in accordance with national wiring regulations.
- Free movement of air in room to be cooled.
- A large enough opening for the air conditioner.

**NOTE:** Cabinet louvers must not be obstructed. Air must be able to pass freely through the cabinet louvers.



## Window Installation

Window opening measurements:

These instructions are for a standard double-hung window. You will need to modify them for other types of windows.

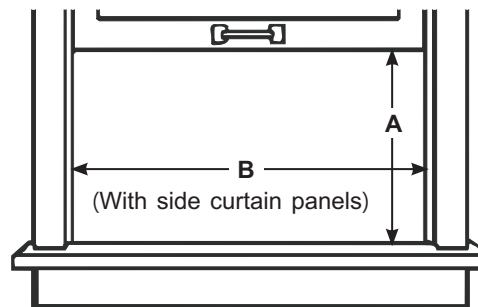
The air conditioner can be installed without the side curtain panels if needed to fit in a narrow window. See the window opening dimensions.

All supporting parts must be secured to firm wood, masonry or metal.

The electrical outlet must be within reach of the power cord.

Follow the dimensions in the table and illustration for your model.

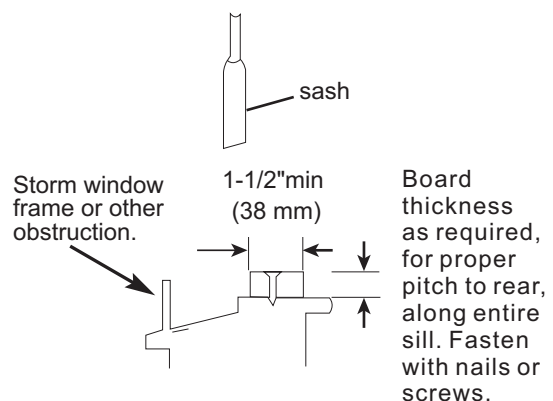
Models	A	B
12K BTU	17" (432mm) min	27" (686mm) - 41" (1041mm)
15K BTU 18K BTU	18 1/2" (470mm) min	29 3/5" (752mm) - 42 1/10" (1069mm)
24K BTU 25K BTU	19 1/10" (485mm) min	32 2/5" (823mm) - 44" (1118mm)



## If AC is Blocked by Storm Window

Add wood as shown, or remove storm window before air conditioner is installed.

If storm window frame must remain, be sure the drain holes or slots are not caulked or painted shut. Accumulated rain water or condensation must be allowed to drain out.



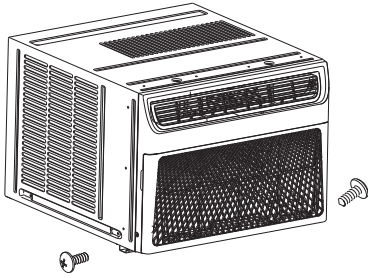
# INSTALLATION INSTRUCTIONS

## Prepare Air Conditioner for Installation

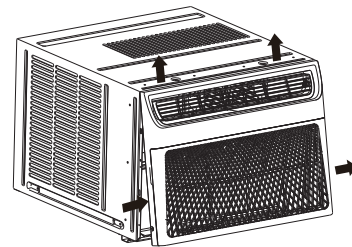
### Remove Air Conditioner from Cabinet

NOTE: Remove any packaging material from cabinet exterior.

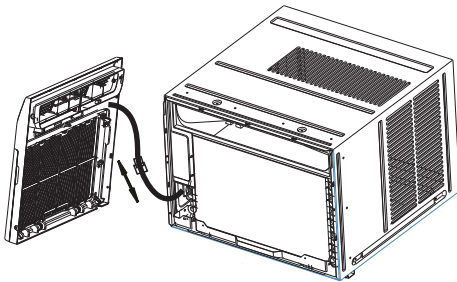
1. Locate the two Front Panel screws and remove. These screws will be needed to re-install the Front Panel later.



2. Push metal cabinet side inward to release plastic tabs on each side of Front Panel.

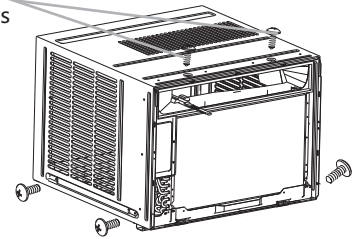


3. Remove Front Panel from unit.

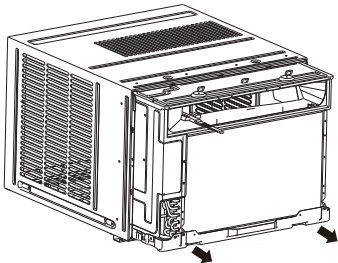


4. Remove shipping screws from top of unit and also on both sides by the base if installed.

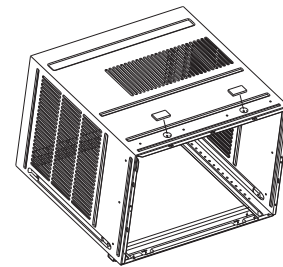
12K model do not need to attach the two screws



5. Carefully remove the air conditioner from cabinet.

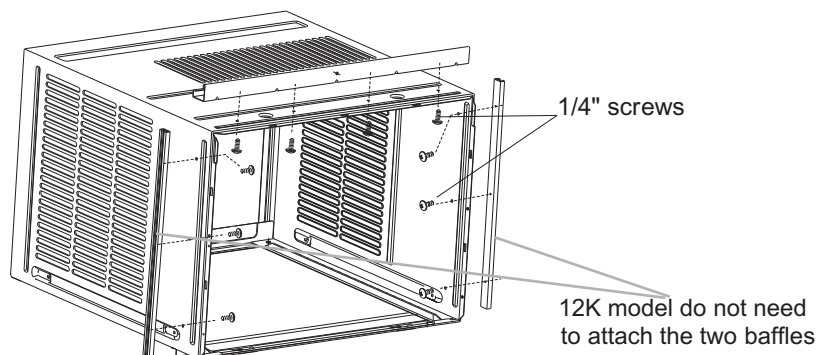


6. Add two foam inserts to holes in top of cabinet where shipping screws were removed from.



### Install Top Angle Rail and Side Retainers

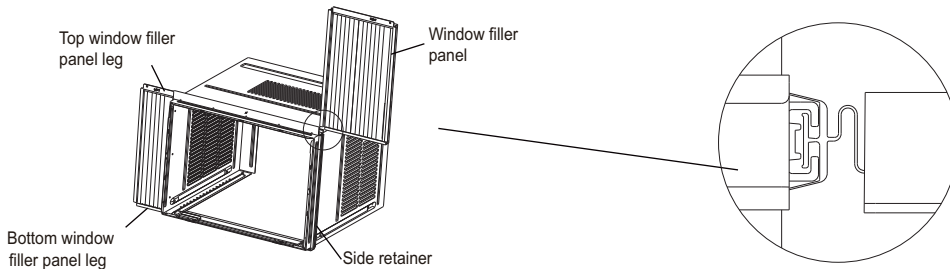
1. Remove adhesive strip coating from foam gasket. Attach adhesive side of gasket to bottom of top angle rail. Insert 4 screws from inside of cabinet and secure to top angle rail.
2. From inside of cabinet insert 3 screws to attach each side baffle as shown. Attach side baffles with flat side against cabinet and angled edge toward rear of cabinet.



# Window Air Conditioner Installation

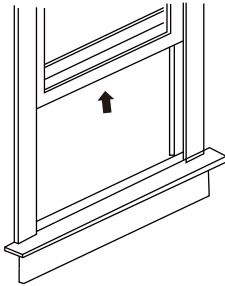
## Assemble Window Filler Panels

1. Place cabinet on floor, a bench, or a table.
2. Slide "I" section at end of window filler panel into side retainer on each side of the cabinet.
3. On each side of cabinet, insert top and bottom legs of window filler panel frame into channel in the top and bottom angle rails.
4. Insert a locking screw and flat washer into hole on top leg of each window filler panel. Do not totally tighten. Allow leg to slide freely. Screws will be tightened after Section .

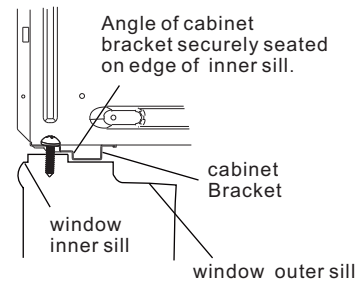


## Place Cabinet in Window

1. Open window and mark the center of window inner sill as shown .

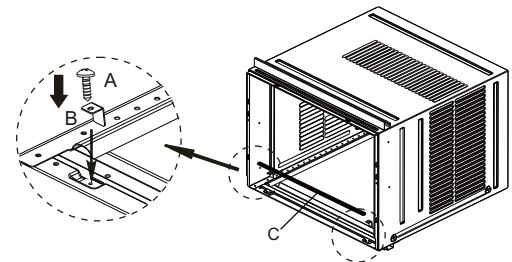
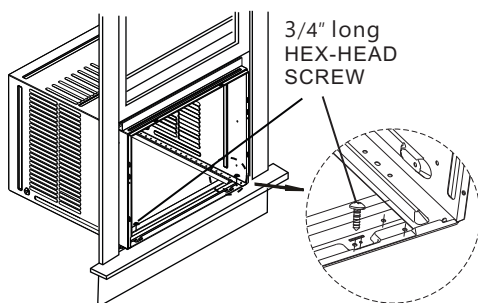


2. Place cabinet in window with cabinet bracket securely seated over edge of inner sill as shown in . Bring window down temporarily behind top angle rail to hold cabinet in place.



3. Shift cabinet left or right as needed to line up center of cabinet on center line marked on inner sill.
4. For wooden window: Fasten cabinet to window inner sill with two 3/4" long hex head screws into holes (You may wish to pre-drill pilot holes)

5. For Vinyl-Clad window: Place two safety locks into the holes located in the bottom of the cabinet and drive two 3/4" pan-head Phillips locking screws through the safety locks into the cabinet as shown.



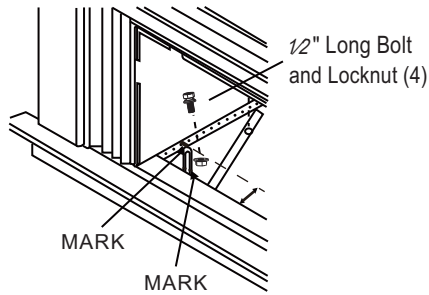
- A. 3/4" screws  
 B. Safety Lock (Only for Vinyl-Clad Window)  
 C. Bottom Rail Foam Seal

6. Remove protective strip from adhesive side of Bottom Rail Foam Seal. Apply Seal over screws fastening bottom rail to window inner sill.

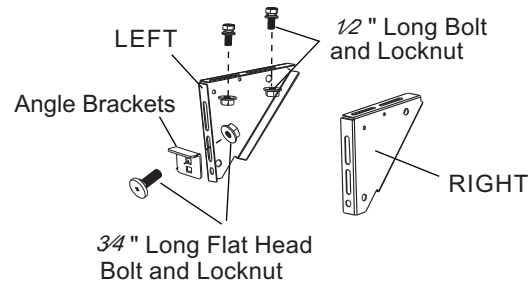


## Install Support Bracket

1. Hold each support bracket flush against outside of sill and tight to bottom of cabinet. Mark brackets at top level of sill. Mark cabinet bottom at distance of sill width. Remove support brackets.



2. Attach sill angle brackets to support brackets at marked positions with flat head bolts and nuts. Hand tighten only at this point.



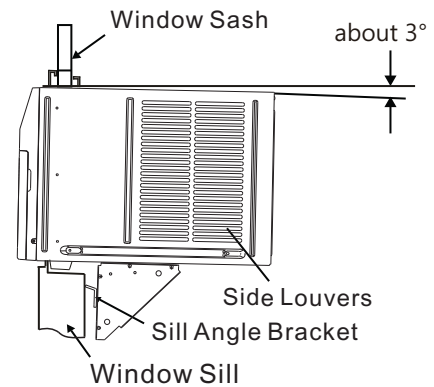
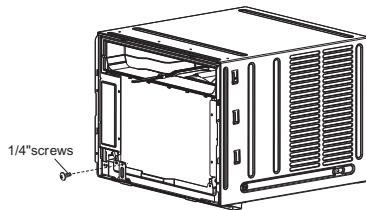
3. Insert 1/2" long bolts through appropriate holes in cabinet bottom given the sill width distance. Thread the bolts into the slots of the support brackets. Tighten lock washer nuts onto bolts.

4. Adjust height of sill angle bracket so that bracket rests securely on edge of sill, and so that cabinet has the correct 3° downward tilt for proper water drainage. Tighten nuts securely.

5. Place the frame lock between the base and the cabinet sill with 1/4" (6,5mm) screw as shown

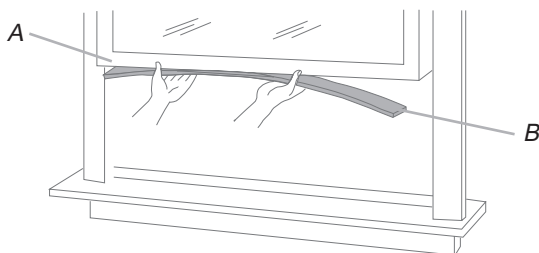
**NOTE:**

This lock frame is only provide for 12K

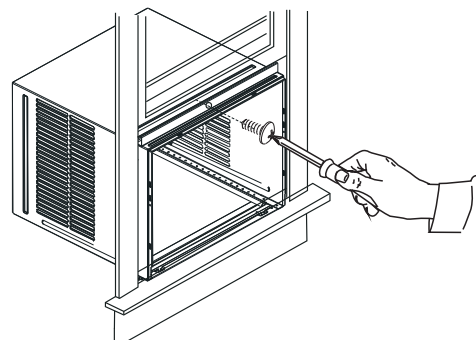


## Extend Window Filler Panels and attach to top angle rail

1. Carefully raise window to expose filler panel locking screws on top angle rail. Loosen screws so filler panels slide easily.
2. Close window behind top angle rail.
3. Attach the top angle rail to window frame: Use a drill bit to drill one hole through the hole in the middle of top angle rail into the window frame, and drive one 3/4" locking screw through the hole in the middle of top angle rail into the window frame as shown.

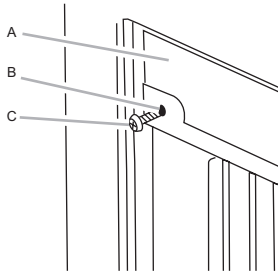


A. Lower window sash  
B. Adhesive seal



## Attach Window Filler Panels to Window Frame

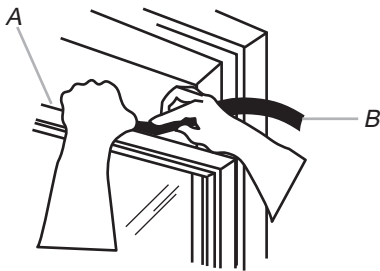
1. Pull the left-hand curtain out until it fits into the window channel.
2. Use a 1/8"(3mm) drill bit to drill a starter hole through the hole in the top rail.
3. Insert one of the 3/4"(20mm) screws through the left-hand curtain and into the window sash.



A. Window sash  
B. Hole in side curtain  
C. 3/4" screw

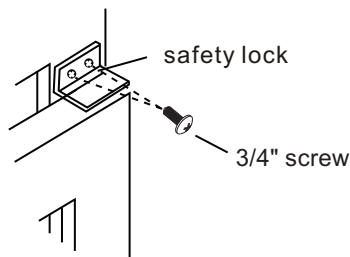
## Install Window Sash Seal and Safety Lock

1. Insert foam seal behind the top of the lower window sash and against the glass of the upper window.



A. Top of lower window sash  
B. Foam seal

2. Attach right angle safety lock to top window sash as shown .

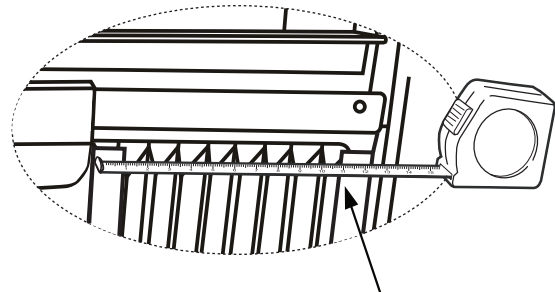


3. If necessary, trim weather seals to needed length, peel off protective backing, and use to plug any gaps.

## Attach the EVA Foam

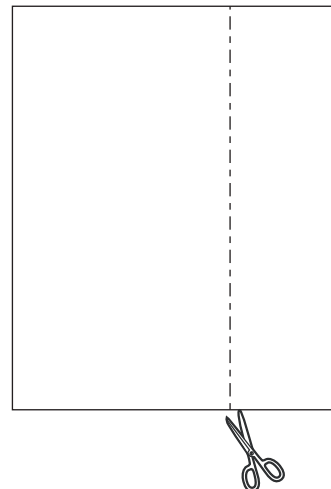
1. Put one EVA Foam on the Curtain housing.  
In order to minimize air leaks and ensure optimal insulation, it is necessary to install the EVA Foam on the Curtain housing.

After the unit is installed to the window, measure the inner width of the side curtain as shown.

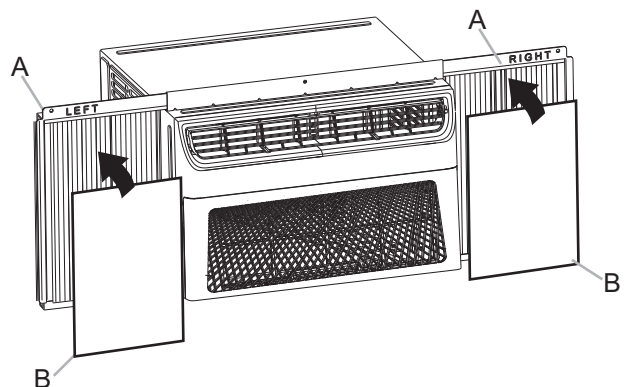


Measure the inner width of the side curtain

2. Remark a line on the EVA Foam according to less 1/8 (3mm) than the measured width in, then cut the EVA Foam along the line.



3. Remove the backing from the EVA Foam.  
Attach one EVA Foam on the Curtain housing, the side with adhesive should facing the Curtain housing.



A. Curtain housing  
B. EVA Foam

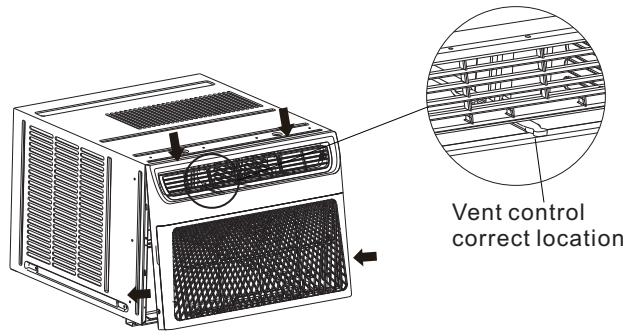
**NOTE:** The EVA Foam is not need to attach for Models: 12K cooling and heating

---

## Install Air Conditioner into Cabinet and Install Front Panel to Unit

---



1. Lift air conditioner and carefully slide into cabinet.
2. CAUTION: Do not push on controls OR finned coils.
3. Be sure air conditioner is firmly seated towards rear of cabinet.
4. Reconnect electronics plug if present. Position vent control lever so that it will thread into its channel in the front panel. Hook front panel top tabs into slots on cabinet top, and rotate front panel down so that side tabs snap into place on cabinet. Insert 4 previously removed screws through front panel and into air conditioner.
5. Insert air conditioner filter. Reinstall the front grille by hooking bottom tabs into slots on Front Panel bottom, then rotating grille up to snap into place.



---

## Complete Installation

1. Plug into a grounded 3 prong outlet.
2. Press RESET on the power supply cord. See "Electrical Requirements".

**Electrical Shock Hazard**

Plug into a grounded 3 prong outlet.

Do not remove ground prong.

Do not use an adapter.

Do not use an extension cord.

Failure to follow these instructions can result in death, fire, or electrical shock.

---

## AIR CONDITIONER USE

Operating your air conditioner properly helps you to obtain the best possible results.

This section explains proper air conditioner operation.

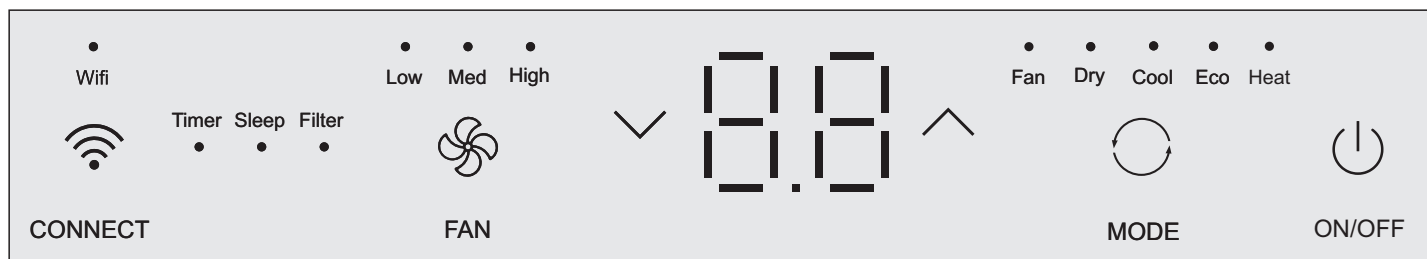
### IMPORTANT:

- If you turn off the air conditioner, wait at least 3 minutes before turning it back on. This prevents the air conditioner from blowing a fuse or tripping a circuit breaker.

- Air conditioner in the Cool mode operation the better limits:  
Outdoor side 64.4~109.4°F (18~43 °C), ≤80%RH; indoor side 62.6~89.6°F (17~32°C), ≤80%RH.
- Air conditioner in the Heat mode operation the better limits:  
Outdoor side 19.4~75.2°F (-7~24 °C), ≤80%RH; indoor side 32~80.6°F (0~27°C), ≤80%RH.

**NOTE:** In the event of a power failure, your air conditioner will operate at the previous settings when the power is restored.

# Starting Your Air Conditioner



## ON/OFF

1. Press the power button to turn on the air conditioner.



ON/OFF

**NOTE:** When the air conditioner is turned on for the first time after it is plugged in, the display will show the current set temperature and will run in the ECO control.

After cleaning and replace the filter, press the POWER button for resetting and the FILTER light will go off.

2. Select mode. See "Mode".
3. Select fan speed. See "Fan".
4. Set temperature. See "Temperature".

## Mode

1. Press MODE repeatedly until you see the indicator light glow for the desired setting.
2. Choose Fan, Dry, Cool, Eco, or Heat.
  - FAN to select Fan Only mode.
  - Dry - Dries the room. The air conditioner automatically selects the temperature. Fan runs on Low speed only.
  - Cool - Cools the room.
  - Eco - Cools the room and save energy.
  - Heat - Heats the room.

**NOTE:** Heat is available for heating models.

**NOTE:** Dry mode should not be used to cool the room.

Fan - Only the fan runs. Press FAN to select High, Med or Low.

**NOTE:** Select ECO mode to initiate this function. The fan will continue to run after the compressor shuts off for 2 minutes(4 minutes for the first time), so the fan will shut off for 10 minutes. The fan then cycles run for 2 minutes and 10 minutes off intervals until the room temperature is above the set temperature, at which time the compressor turns back on and Cooling resumes. ECO mode is only available for E-star models.

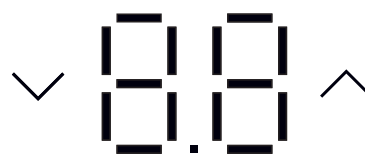
Fan Dry Cool Eco Heat



MODE

## Temperature

- Press the plus UP (^) button to raise the temperature. Each time you press or hold the plus UP (^) button, the temperature will go up 1°F (1°C) until it reaches 86°F (30°C).



- Press the minus DOWN (v) button to lower the temperature. Each time you press or hold the DOWN (v) button, the temperature will go down 1°F (1°C) until it reaches 61°F (16°C).

## To change the temperature display from °F to °C:

Press both the MODE and DOWN (v) buttons at the same time for 5 seconds to switch the display from °F to °C.

## Fan

**NOTE:** The Fan button will operate only when the Cool, Fan or Power Saver mode has been selected.

1. Press FAN until you see the indicator light glow for the desired setting.
2. Choose High, Med, Low.
  - High - for maximum cooling
  - Med - for normal cooling
  - Low - for quieter cooling

## NOTE:

- In ECO mode, the Fan will run at low speed when compressor turn off.

Low Med High



FAN

---

## Timer Sleep Filter

---

1. The LED light on control panel for Timer、Sleep、 Filter.



2. The function introduction See "using the remote control".

---

## WIFI

---

WIFI control is available for connected models with this logo on control panel.



Wifi



(Optional)

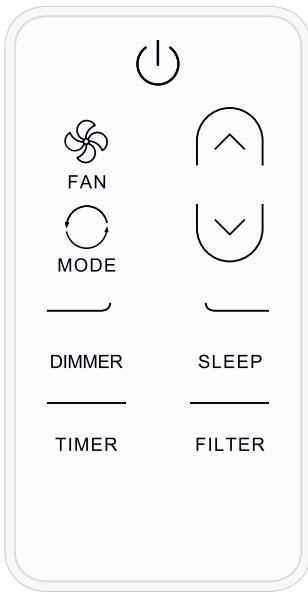
### CONNECT

1. Press the CONNECT button for 5s,the LED start to falsh.
2. After the WIFI module connecting the router,the LED keeps on.Or the LED keeps off.

**NOTE:** WIFI control is available for WIFI control models.

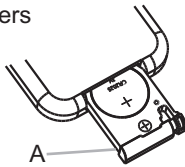
## Using the Remote Control

**NOTE:** Remote control may differ in appearance.



**NOTE:**

- When the first use, please remove the insulated plastic patch.
- One CR2025 battery (included) powers the remote control. Replace battery after 6 months of use, or when the remote control starts to lose power.
- Please ensure the correct direction for polarity of the cell same as the indicator on the bracket.
- **Disposal of battery** old batteries must be removed and disposed of in accordance with current legislation as they are harmful to the environment.



A. Bracket

### Power

Press POWER to turn on/off air conditioner.



### Fan

Press FAN to select High, Med, Low.

**NOTE:**

- In Dry mode, Fan speed cannot be set.



FAN

### Mode

Press MODE to select Fan, Dry, Cool, ECO, Heat.



MODE

### Temperature

- Press the plus UP (^) button to raise the temperature. Each time you press or hold the plus UP (^) button, the temperature will go up 1°F (1°C) until it reaches 86°F (30°C).



- Press the minus DOWN (v) button to lower the temperature. Each time you press or hold the DOWN (v) button, the temperature will go down 1°F (1°C) until it reaches 61°F (16°C).



### DIMMER

Press the DIMMER button to turn off the control panel display.

DIMMER

**NOTE:**

- When in DIMMER mode, new control inputs will return display to normal.

### Sleep Control

**NOTES:**

- In the Cooling mode, Dry mode, ECO mode, the set temperature will increase by 4°F(2°C)at most, during 2hours, and continues running at that temperature until auto shut off.
- In Heating mode, the set temperature will decrease by 4°F(2°C) at most, during 2hours, and continues running at that temperature until auto shut off.

1. Press MODE to select Cool, Dry or ECO
2. Press FAN to select High, Med or Low.
3. Press the up or down arrow button to set the temperature.
4. Press SLEEP. After 10 seconds, the lights on the control panel display will dim.

**NOTE:** The mode and temperature may be adjusted during Sleep control. Fan speed is automatically set to LOW.

SLEEP

5. To turn off Sleep control, press SLEEP again. or wait 8 hours for the air conditioner to turn off automatically.

**NOTE:** The air conditioner will return to previous settings after Sleep control is turned off.

---

## Timer

---

### To set timer for a 1 – 24 hour delay on – off operation:

1. Press TIMER on remote control, LED display on the air conditioner control panel will flash.

TIMER

2. Press up or down arrow button to change the delay time from 1 hour to 24 hours.
3. Press TIMER on remote control again for TIMER confirmation and TIMER indicator light on the air conditioner control panel will be on.
4. To cancel the TIMER, press the TIMER on remote and the TIMER indicator light will be off.

---

## Filter

---

1. When the Filter indicator light is lit, remove, clean and replace the air filter. See “Cleaning the Air Filter”.
2. Press Power button on the machine, or FILTER button on remote to reset the filter, after cleaning and replacing the air filter.

FILTER

### NOTE :

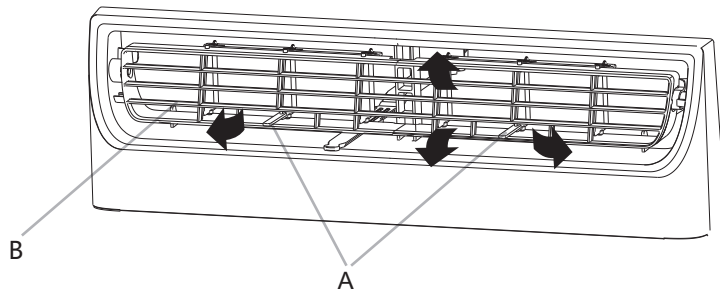
When the light is on, it will remain on for 180 hours or until you press Clean Filter button.

---

## Changing Air Direction

Use the Vertical Level Vane to direct the air right or left. Use the whole cartridge to direct air up, down or straight ahead.

---

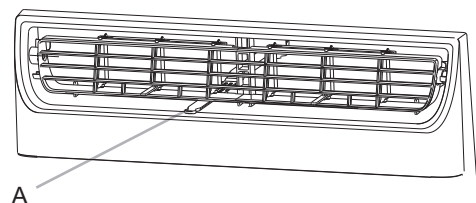


A. Vertical Level Vane  
B. Cartridge

---

## Exhaust Air Vent

- Pull out the exhaust air vent control to Open the exhaust air vent and draw stale or smoky air from the room.
- Push in the exhaust air vent control to close the exhaust air vent for maximum continuous cooling.



A. Exhaust air vent control

**NOTE:** The exhaust air vent will function only when the Fan Speed control is operating.

---

## Normal Sounds

When your air conditioner is operating normally, you may hear sounds such as:

- Droplets of water hitting the condenser, causing a pinging or clicking sound. The water droplets help cool the condenser.
- Air movement from the fan.
- Clicks from the thermostat cycle.
- Vibrations or noise due to poor wall or window construction.
- A high-pitched hum or pulsating noise caused by the modern high-efficiency compressor cycling on and off.

---

## AIR CONDITIONER CARE

Your new air conditioner is designed to give you many years of dependable service. This section tells you how to clean and care for your air conditioner properly. Call your local authorized dealer for an annual checkup. Remember the cost of this service call is your responsibility.

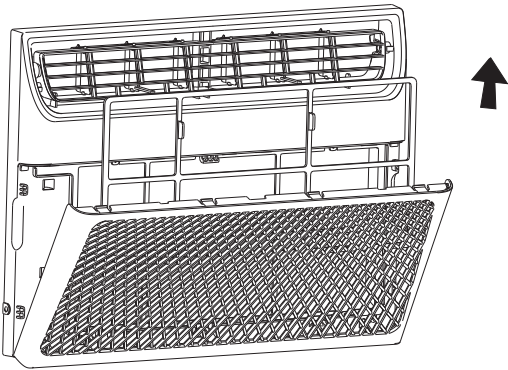
---

### Cleaning the Air Filter

The air filter is removable for easy cleaning. A clean filter helps remove dust, lint, and other particles from the air and is important for best cooling and operating efficiency. Check the filter every 2 weeks to see whether it needs cleaning.

**NOTE:** Do not operate the air conditioner without the filter in place.

1. Turn off the air conditioner.
2. Open the front panel. Grasp the filter by the center and pull up and out.



3. Use a vacuum cleaner to clean the air filter. If the air filter is very dirty, wash it in warm water with a mild detergent. Do not wash the air filter in the dishwasher or use any chemical cleaners. Air dry the filter completely before replacing to ensure maximum efficiency.
4. Replace the air filter back into the air conditioner, and close the front panel.

---

### Cleaning the Front Panel

1. Turn off the air conditioner.
2. Clean the front panel with a soft, damp cloth.
3. Air dry the front panel completely.

---

### Repairing Paint Damage

Check once or twice a year for paint damage. This is very important, especially in areas near oceans or where rust is a problem. If needed, touch up with a good grade enamel paint.

---

### Annual Maintenance



Your air conditioner needs annual maintenance to help ensure steady, top performance throughout the year. Call your local authorized dealer to schedule an annual checkup. The expense of an annual inspection is your responsibility.



# TROUBLESHOOTING

Before calling for service, try the suggestions below to see whether you can solve your problem without outside help.

## Air conditioner will not operate

**Electrical Shock Hazard**

Plug into a grounded 3 prong outlet.  
Do not remove ground prong.  
Do not use an adapter.  
Do not use an extension cord.  
Failure to follow these instructions can result in death, fire, or electrical shock.

- **The power supply cord is unplugged.** Plug into grounded 3 prong outlet. See "Electrical Requirements".
- **The power supply cord has tripped (Reset button has popped out).** Press and release RESET (listen for click; Reset button will latch and on some devices, a green light will turn on) to resume operation.
- **A household fuse has blown, or circuit breaker has tripped.** Replace the fuse or reset the circuit breaker. If the problem continues, call an electrician. See "Electrical Requirements".
- **The Power button has not been pressed.** Press the Power button.
- **The local power has failed.** Wait for power to be restored.

## Air conditioner blows fuses or trips circuit breakers

- **Too many appliances are being used on the same circuit.** Unplug or relocate appliances that share the same circuit.
- **Time-delay fuse or circuit breaker of the wrong capacity is being used.** Replace with a time-delay fuse or circuit breaker of the correct capacity. See "Electrical Requirements".
- **An extension cord is being used.** Do not use an extension cord with this or any other appliance.
- **You are trying to restart the air conditioner too soon after turning off the air conditioner.** Wait at least 3 minutes after turning off the air conditioner before trying to restart the air conditioner.

## Air conditioner power supply cord trips (Reset button pops out)

- **Disturbances in your electrical current can trip (Reset button will pop out) the power supply cord.** Press and release RESET (listen for click; Reset button will latch and on some devices, a green light will turn on) to resume operation.
- **Electrical overloading, overheating, cord pinching or aging can trip (Reset button will pop out) the power supply cord.** After correcting the problem, press and release RESET (listen for click; Reset button will latch and on some devices, a green light will turn on) to resume operation.

NOTE: A damaged power supply cord must be replaced with a new power supply cord obtained from the product manufacturer and must not be repaired.

## Air conditioner seems to run too much

- **The current air conditioner replaced an older model.** The use of more efficient components may cause the air conditioner to run longer than an older model, but the total energy consumption will be less. Newer air conditioners do not emit the "blast" of cold air you may be accustomed to from older air conditioners, but this is not an indication of lesser cooling capacity or efficiency. Refer to the efficiency rating (EER) and capacity rating (in Btu/h) marked on the air conditioner.
- **The air conditioner is in a heavily occupied room, or heat-producing appliances are in use in the room.** Use exhaust vent fans while cooking or bathing and try not to use heat-producing appliances during the hottest part of the day. A higher capacity air conditioner may be required, depending on the size of the room being cooled.

## Air conditioner cycles on and off too much or does not cool

- **The air conditioner is not properly sized for your room.** Check the cooling capabilities of your room air conditioner. Room air conditioners are not designed to cool multiple rooms.
- **The filter is dirty or obstructed by debris.** Clean the filter.
- **The inside evaporator and outside condenser coils are dirty or obstructed by debris.** See Annual Maintenance.
- **There is excessive heat or moisture (open container cooking, showers, etc.) in the room.** Use a fan to exhaust heat or moisture from the room. Try not to use heat-producing appliances during the hottest part of the day.
- **The louvers are blocked.** Install the air conditioner in a location where the louvers are free from curtains, blinds, furniture, etc.

- 
- **The temperature of the room you are trying to cool is extremely hot.** Allow extra time for the air conditioner to cool off a very hot room.
  - **Windows or doors to the outside are open.** Close all windows and doors.
  - **The Temp control is not at a cool enough setting.** Adjust the Temp control to a cooler setting by pressing the minus button to reduce the temperature. Set the Fan Speed control to the highest setting.

---

#### **Water drips from cabinet into your house**

---

- **The air conditioner is not properly leveled.** The air conditioner should slope slightly downward toward the outside. Level the air conditioner to provide a downward slope toward the outside to ensure proper drainage. See the Installation Instructions.

**NOTE:** Do not drill a hole in the bottom of the metal base and condensate pan.

