

Hisense

USE AND INSTALLATION INSTRUCTIONS
INSTRUCCIONES DE USO E INSTALACIÓN

Model/Modelo:

AP1221CR1W

For questions about features, operation/performance, parts or service,
call: 1-877-465-3566

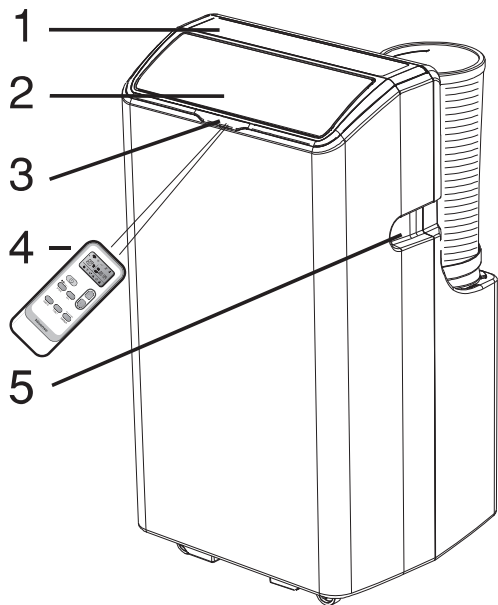
Para preguntas sobre las características, función/rendimiento, piezas o
servicio llame al: 1-877-465-3566

TABLE OF CONTENTS

IDENTIFICATION OF PARTS	2
AIR CONDITIONER SAFETY	3
INSTALLATION REQUIREMENTS	4
Tools and Parts	4
Electrical Requirements	5
Location Requirements	5
INSTALLATION INSTRUCTIONS	6
Unpack the Air Conditioner	6
Window Vent Panel And Extensions	7
Install The Portable Air Conditioner	8
Installation In Vertical Sliding Windows	9
Installation In Horizontal Sliding Windows	10
PORTABLE AIR CONDITIONER USE	11
Starting Your Portable Air Conditioner	12
Using the Remote Control	13
Normal Sounds	15
PORTABLE AIR CONDITIONER CARE	16
Draining the Air Conditioner(non-Heating models)	16
Draining the Air Conditioner(Heating models)	16
Cleaning the Outside	16
Cleaning the Air Filter	16
Storing After Use	16
TROUBLESHOOTING	17

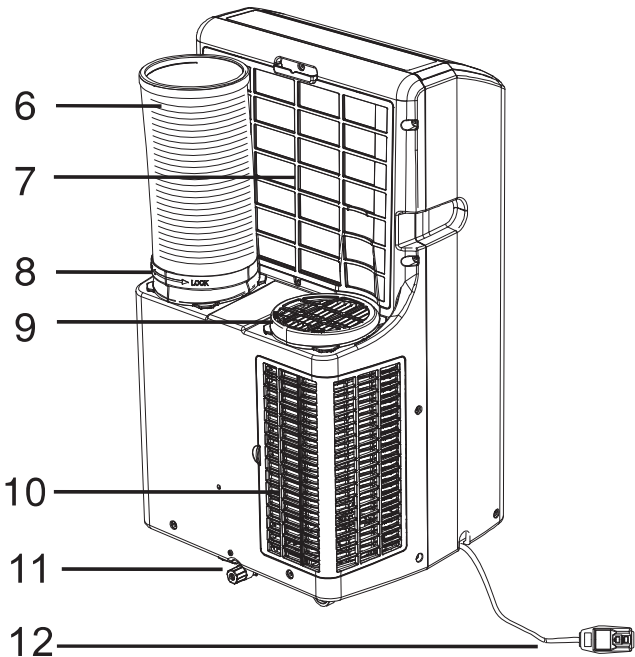
IDENTIFICATION OF PARTS

• Front

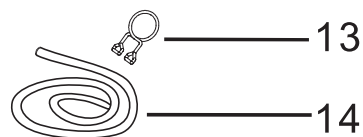


- 1** Control panel
- 2** Cool air outlet
- 3** Signal receptor
- 4** Remote control
- 5** Transport handle

• Back



- 6** Flexible exhaust hose
- 7** Evaporator air intake
- 8** Air outlet hose coupling
- 9** Secondary condenser air intake
- 10** Primary condenser air intake
- 11** Drain port
- 12** Power cord
(May differ from the one shown)
- 13** Drain hose clip (Heat pump models)
- 14** Drain hose (Heat pump models)



▲ The figures in this manual are based on the external view of a standard model.
They may differ from that of the air conditioner you have selected.

AIR CONDITIONER SAFETY

your safety and the safety of others is very important.

We have provided many important safety messages in this manual and on your appliance. Always read and obey all safety messages.



This is the safety alert symbol.

This symbol alerts you to potential hazards that can kill or hurt you and others.

All safety messages will follow the safety alert symbol and either the word "DANGER" or "WARNING".

These words mean:

 **DANGER**

A hazard that if not avoided will result in death or serious injury.

 **WARNING**

A hazard that if not avoided could result in death or serious injury.

All safety messages will tell you what the potential hazard is and tell you how to reduce the chance of injury.

IMPORTANT SAFETY INSTRUCTIONS

WARNING: To reduce the risk of fire, electrical shock or injury when using your air conditioner, follow these basic precautions:

- Plug into a grounded 3 prong outlet.
- Do not use an extension cord.
- Do not remove ground prong.
- Unplug air conditioner before servicing.
- Do not use an electrical adapter.
- Use two or more people to move and install air conditioner.
- The appliance is not intended for use by young children or impaired persons without supervision. Young children should be supervised to ensure that they do not play with the appliance.

SAFETY THESE INSTRUCTIONS

STORAGE AND DISPOSING OF THE UNIT

- Please recycle or dispose of the packaging material for product in an environmentally responsible manner.
- Never store or ship the air conditioner upside down or sideways to avoid damage to the compressor.
- Dispose of this appliance in accordance with Federal and local regulations. Refrigerants must be evacuated before disposal.



WARNING

Risk of Fire or Explosion. This unit contains flammable refrigerant. Additional safety precautions must be followed.

- Do not use means to accelerate the defrosting process or to clean, other than those recommended by the manufacturer.
- When handling, installing, and operating the appliance, care should be taken to avoid damage to the refrigerant tubing.
- The appliance shall be stored in a room without continuously operating ignition sources (for example: open flames, an operating gas appliance or an operating electric heater).
- Do not drill holes in the unit.
- Do not pierce or bump refrigerant tubing. Be aware that refrigerants may not contain an odor.
- Maintenance, cleaning, and service should only be performed by technicians properly trained and qualified in the use of flammable refrigerants.
- Keep ventilation openings clear of obstruction.
- Dispose of air conditioner in accordance with Federal and local Regulations. Flammable refrigerants require special disposal procedures. Contact your local authorities for the environmentally safe disposal of your air conditioner.

INSTALLATION REQUIREMENTS

Tools and Parts







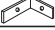





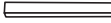




Gather the required tools and parts before starting installation. Read and follow the instructions provided with any tools listed here.

Tools needed

- Phillips screwdriver
- Scissors
- Pencil
- Cordless drill and $\frac{1}{8}$ " bit


Parts supplied

Check that all parts are included in parts package.(B and C have been pre installed on the machine by the factory)

Part	Description	Quantity
	A. Foam seal	1 pc
	B. Coupling	1 pc
	C. Flexible exhaust hose	1 pc
	D. Window exhaust adapter	1 pc
	E. Rivets	4 pc
	F. Screws	4 pc
	G. Window-lock bracket	2 pc
	H. Outer slider section with vent	1 pc
	I. Inner slider section-short	1 pc
	. inner slider section	1 pc
	. Outer slider section	1 pc
	. Foam seal-long	3 pc
	M. Foam seal-short	2 pc
	N. Drain hose (Heat pump models)	1 pc
	O. Drain hose clip(Heat pump models)	1 pc
	P. Remote control	1 pc
	. Standard AAA(1.5 volt) batteries	2 pc

Electrical Requirements

⚠ WARNING



Electrical Shock Hazard

Plug into a grounded 3 prong outlet.

Do not remove ground prong.

Do not use an adapter.

Do not use an extension cord.

Failure to follow these instructions can result in death, fire, or electrical shock.

Recommended Grounding Method

This portable air conditioner must be grounded. This portable air conditioner is equipped with a power supply cord with a three-prong grounding plug. The cord must be plugged into a mating, grounded three-prong outlet, grounded in accordance with all local codes and ordinances. If a mating outlet is not available, it is the customer's responsibility to have a properly grounded three-prong outlet installed by a qualified electrical installer.

It is the customer's responsibility:

- To contact a qualified electrical installer.
- To assure that the electrical installation is adequate and conforms to the National Electrical Code, ANSI/NFPA 70—last edition, and all local codes and ordinances.

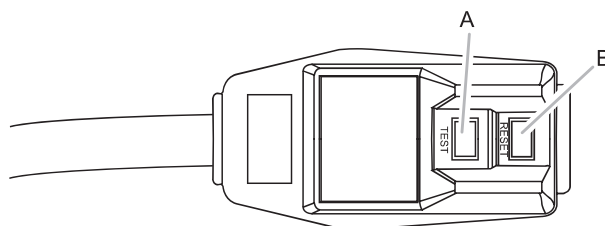
Copies of the standards listed may be obtained from:
 Nation Fire Protection Association
 1 Batterymarch Park
 Quincy, Ma 02169-7471
www.nfpa.org

Wiring requirement

115 (103.5 min. to 126.5 max.)

15 A time-delay fuse or circuit breaker

Power Supply Cord



A. Test button
 B. Reset button

NOTE:

Your air conditioner's device may differ from the one shown. This room air conditioner is equipped with a power supply cord required by UL. This power supply cord contains state-of-the-art electronics that sense leakage current. If the cord is crushed, the electronics detect leakage current and power will be disconnected in a fraction of a second.

To test your power supply cord:

1. Plug power supply cord into a grounded 3prong outlet.
2. Press RESET (on some devices, a green light will turn on).
3. Press TEST (listen for click; Reset button will trip, and on some devices, a green light will turn off).
4. Press and release RESET (listen for click; Reset button will latch, and on some devices, a green light will turn on). The power supply cord is ready for operation.

NOTE:

- The Reset button must be pushed in for proper operation.
- The power supply cord must be replaced if it fails to trip when the test button is pressed or fails to reset.
- Do not use the power supply cord as an off/on switch. The power supply cord is designed as a protective device.
- A damaged power supply cord must be replaced with a new power supply cord obtained from the product manufacturer and must not be repaired.
- The power supply cord contains no user serviceable parts. Opening the tamper-resistant case voids all warranty and performance claims.

Location Requirements

NOTE:

- The flexible exhaust hose allows placement of the air conditioner at least 20" from window or door.
- Confirm you are using the correct size air conditioner for the space to be cooled, per sizing recommendations, below:

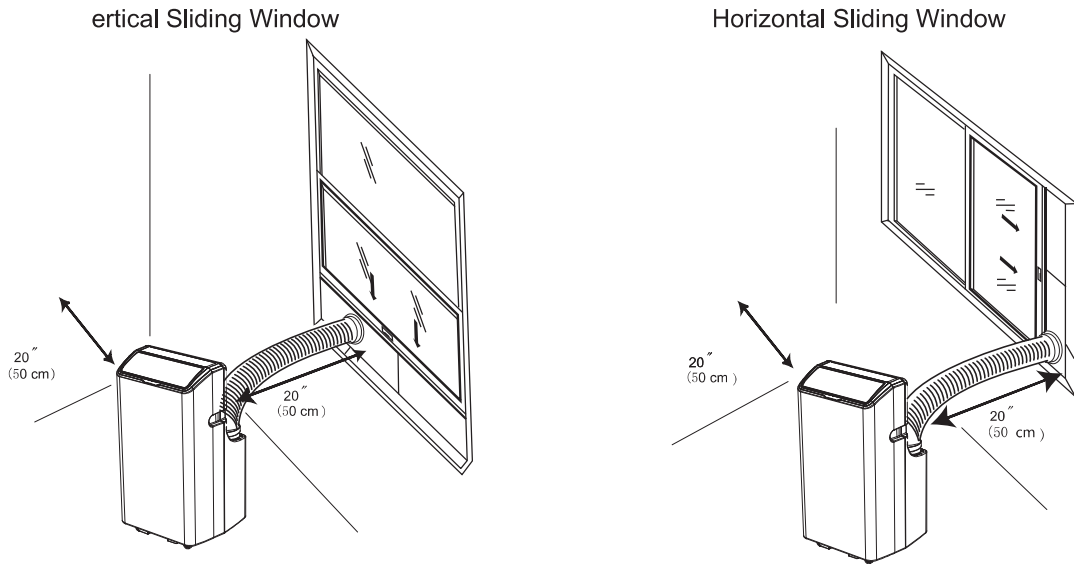
Area to be cooled		DOE Capacity needed(BTUs)
Up to 10'x 25' Room	250 s. ft.	5,500/6,000
Up to 15'x 20' Room	300 s. ft.	6,500/7,000
Up to 10' x 35' Room	350 s. ft.	7,500/8,000
Up to 20' x 20' Room	400 s. ft.	8,500/9,000
Up to 10' x 45' Room	450 s. ft.	9,500/10,000
Up to 10' x 55' Room	550 s. ft.	10,500/12,000

NOTE: Match BTUs to room use and location:

- Shaded room reduce to next smaller size
- Sunny room increase to next larger size
- For kitchens, increase to next larger size

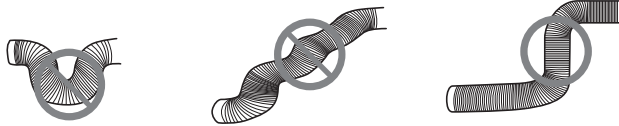
⚠️ WARNING

The length of the exhaust hose is specially designed according to the specification of the product. Do not replace, or extend, or otherwise modify the hose.



NOTE:

- For best performance, allow at least 20 in of air space on all sides of the unit for good air circulation.
- Do not block the air outlet.
- Provide easy access to the grounded 3 prong outlet.
- To ensure proper function, DO NOT overextend or bend the hose. Make sure that there is no obstacle around the air outlet of the exhaust hose in order to the exhaust system works properly. All the illustrations in this manual are for explanation purpose only. Your air conditioner may be slightly different. The actual shape shall prevail.



INSTALLATION INSTRUCTIONS

Unpack the Air Conditioner

⚠️ WARNING

Excessive Weight Hazard

Use two or more people to move and install air conditioner.
Failure to do so can result in back or other injury.

- Do not use sharp instruments, rubbing alcohol, flammable fluids, or abrasive cleaners to remove tape or glue. These products can damage the surface of your air conditioner.
- Handle the air conditioner gently.
- Keep unit upright at least 2 hours prior to use.

Remove packaging materials

- Remove and recycle packaging materials. Remove tape and glue residue from surfaces before turning on the air conditioner. Rub a small amount of liquid dish soap over the adhesive with your fingers. Wipe with warm water and dry.

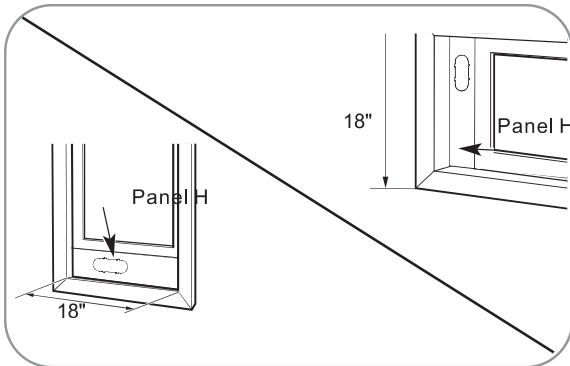
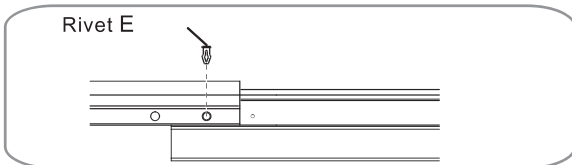
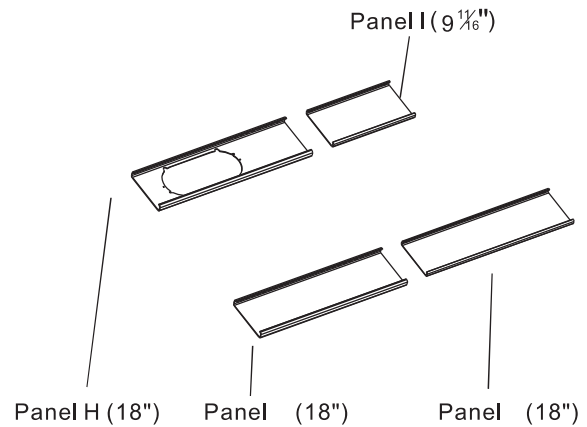
Caution: Installation accessories are stored in the top of the carton, and are required for proper cooling performance. Please remove all accessories from packing materials before use.

Window Vent Panel And Extensions

The window installation kit allows you to install the air conditioner in most vertical-sliding windows 18" to 50" wide, or horizontal sliding windows from 18" to 50" tall.

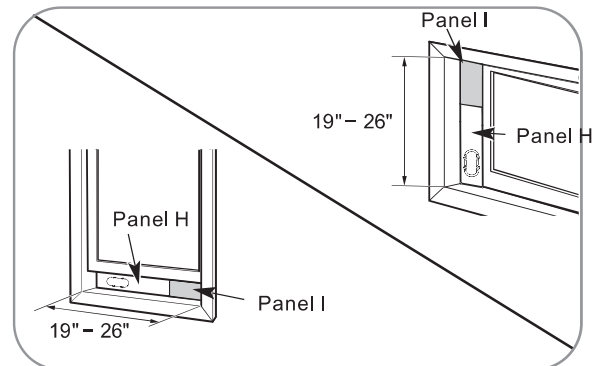
Panel length \ Window Length	H 18"	I 9 $\frac{1}{16}$ "	18"	18"	Fig.
18"	✓				a
19" – 26"	✓	✓			b
27" – 34"	✓		✓		c
35" – 50"	✓		✓	✓	d

1. Please check your window size and choose the fit from the above table.
2. If your window size requires more than 2 panels, after adjusting the length, please secure the panels with rivets, E.



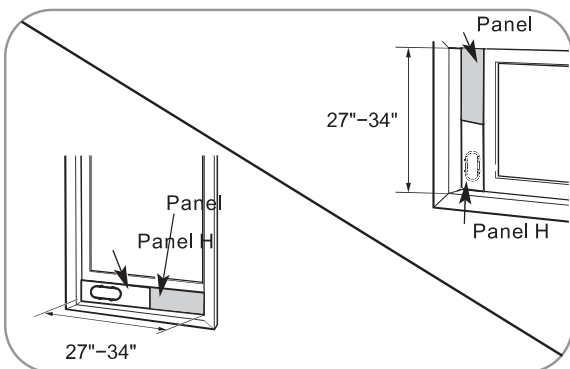
For an 18" window opening, use the window vent panel by itself.

Fig. "a"



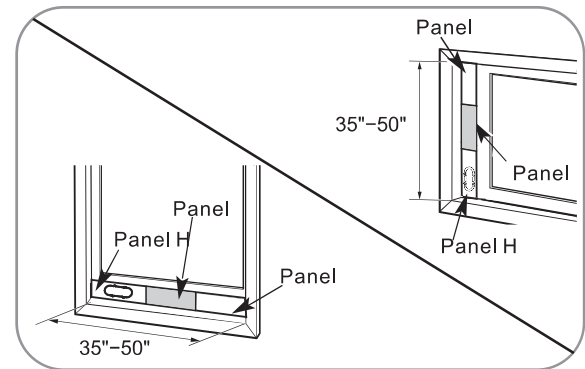
For window openings from 19" to 26", use the window vent panel (Panel H) and an extension panel (Panel I).

Fig. "b"



For window openings from 27" to 34", use the window vent panel (Panel H) and an extension panel (Panel I).

Fig. "c"



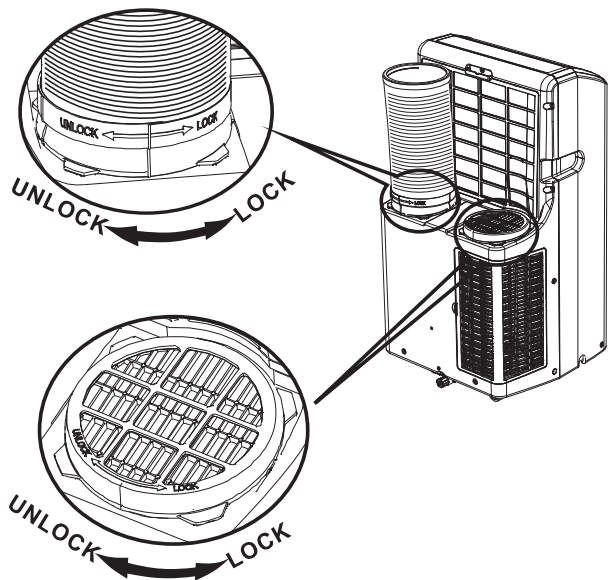
For window openings from 35" to 50", use the window vent panel and two extension panels (Panel I and Panel I).

Fig. "d"

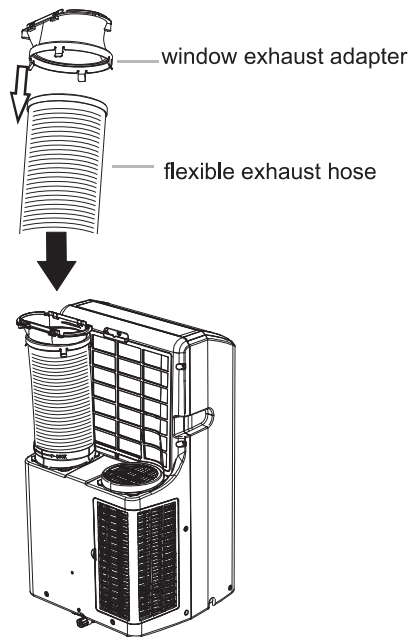
Install The Portable Air Conditioner

Install Exhaust Hose and Adapter

1. Roll the air conditioner to selected location, see "Location Requirements" in page 12.
2. Air outlet hose coupling, flexible exhaust hose and secondary condenser air intake have been pre-installed by factory, please check whether it is installed in place. if ok, please go to step 3. if not, please install it according to the figure below.



3. Press the window exhaust adapter into the flexible exhaust hose, the window exhaust adapter have integral clips that snap onto the hose.



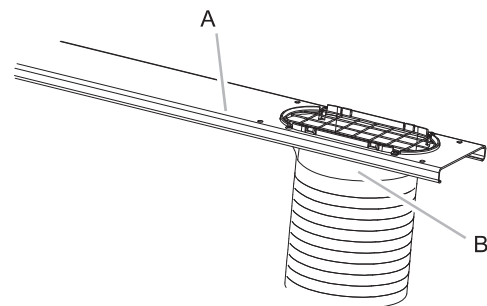
4. Confirm the hose is locked in place before operating.

Window Installation

Our window installation kit has been designed to fit most standard vertical and horizontal window applications. Roll the air conditioner to selected location, see "Location Requirements" in page 12.

1. Attach the window exhaust adapter to the outer slider

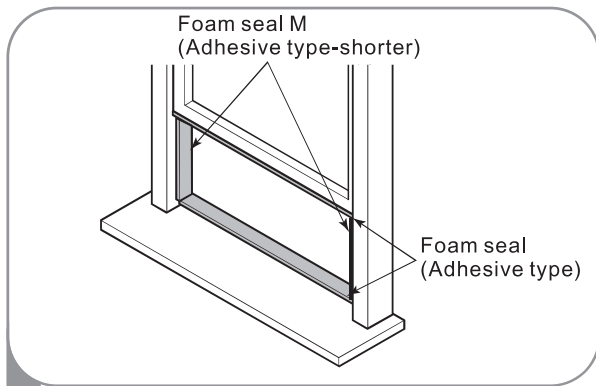
NOTE: Product must be used with included Duct Window installation kit for effective cooling.



A. Outer slider section
B. Window exhaust adapter

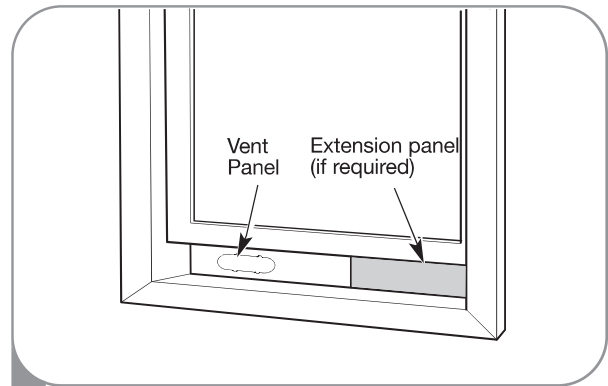
Installation In Vertical Sliding Windows

NOTE: The window installation kit can be used with vertical sliding windows between 18" and 50" wide.



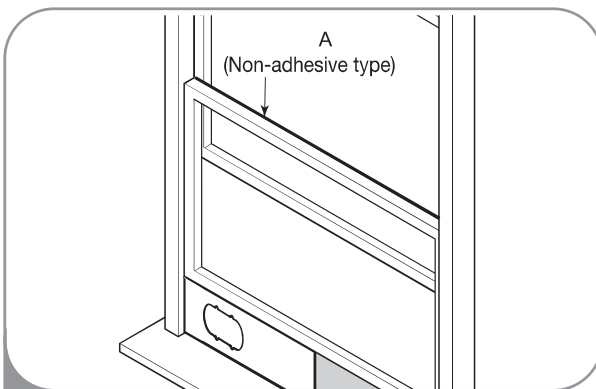
1

Cut the foam seal (adhesive type) M (adhesive type-shorter) to the proper length, and attach it to the window sash and frame.



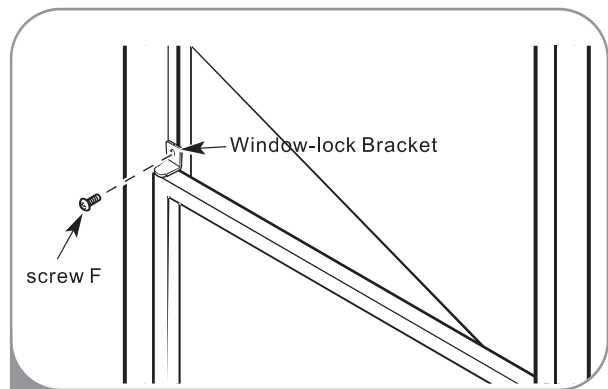
2

Insert the vent panel assembly, including extension panels, if needed, into the window opening. Extend the extension panels to the window width.



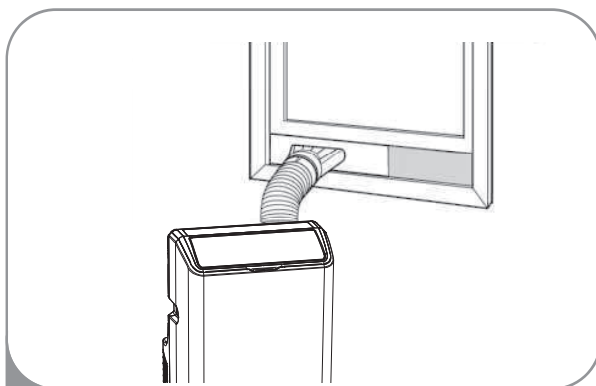
3

Cut the foam seal A (Non-adhesive type) to the window width. Stuff the foam seal A between the glass and the window to prevent air and foreign objects from getting into the room.



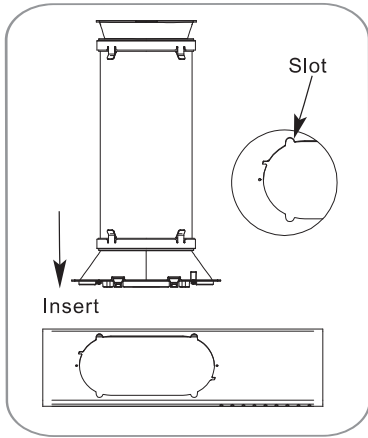
4

Install the Window-lock bracket with a type F screw as shown if you need.

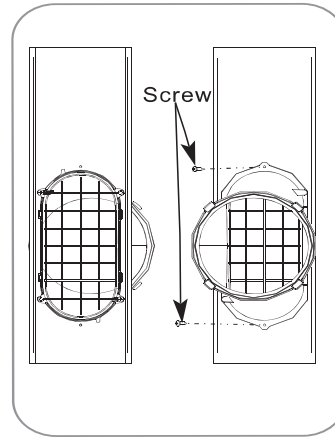


5

Insert the window exhaust adapter into the opening in the vent panel.



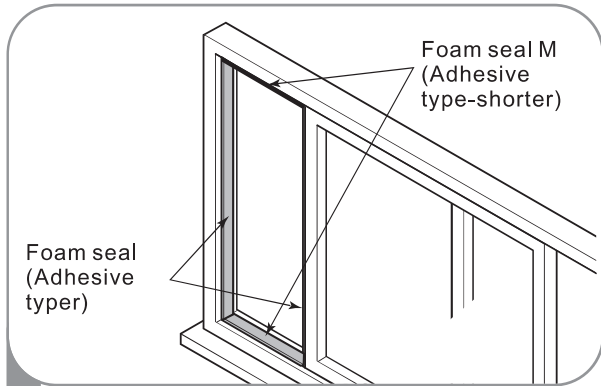
Align the tabs on the window exhaust adapter with the slots in the vent panel. Insert the window exhaust adapter into the opening in the vent panel.



Insert the screw in the hole in the window exhaust adapter to prevent the window exhaust adapter from sliding out of the vent opening.

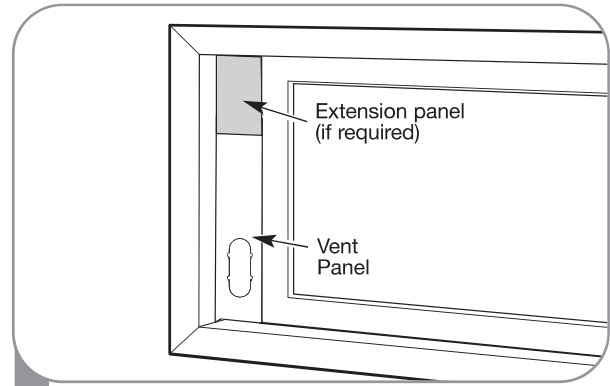
Installation In Horizontal Sliding Windows

NOTE: The window installation kit can be used with horizontal sliding windows between 18" and 50" wide.



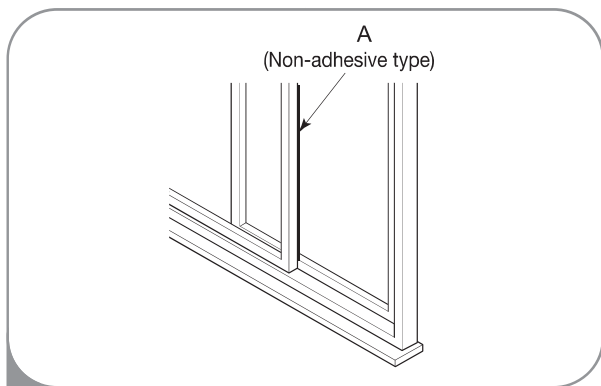
1

Cut the foam seal (adhesive type) M (adhesive type-shorter) to the proper length, and attach it to the window sash and frame.



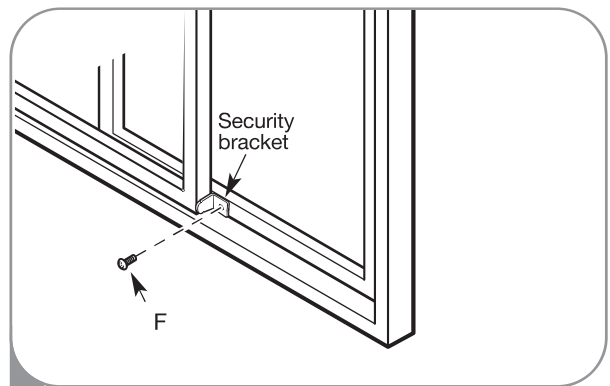
2

Insert the vent panel assembly, including extension panels, if needed, into the window opening. Extend the extension panels, if used.



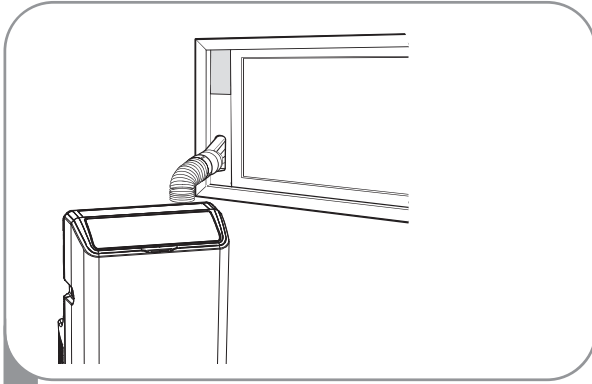
3

Cut the foam seal A (Non-adhesive type) to the window width. Stuff the foam seal A between the glass and the window to prevent air and foreign objects from getting into the room.



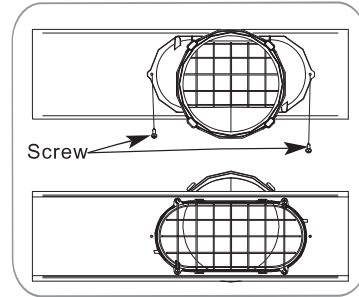
4

Install the Window-lock bracket with a type F screw as shown if you need.

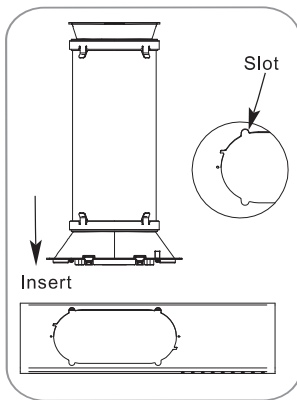


5

Insert the window exhaust adapter into the opening in the vent panel.



Insert the screw in the hole in the window exhaust adapter to prevent the window exhaust adapter from sliding out of the vent opening.



Align the tabs on the window exhaust adapter with the slots in the vent panel. Insert the window exhaust adapter into the opening in the vent panel.

PORTABLE AIR CONDITIONER USE

Operating your portable air conditioner properly helps you to obtain the best possible results.

This section explains proper air conditioner operation.

IMPORTANT:

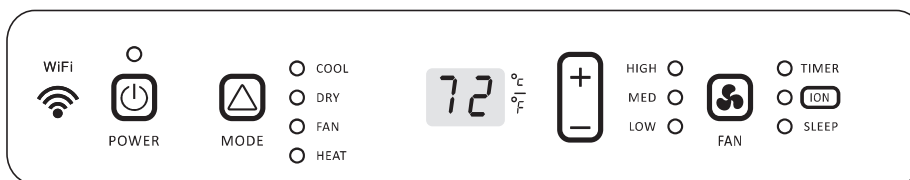
- Do not stay in direct airflow from the air conditioner for extended periods of time.
- Never use in tightly enclosed spaces. Always ensure there is sufficient airflow of outside air entering the household especially when used in conjunction with combustible devices such as gas stoves, fireplaces, furnaces, hot water heaters etc. Do not place the power cord or air conditioner near a heater, radiator, stoves or other apparatus (including amplifiers) that produce heat.
- This air conditioner is intended for household use as a residential appliance. Do not use it as a precision climate control for commercial use, or for precision equipment, food, pets, plants, artwork, etc.

- Do not block or obstruct the exhaust vent hose as it may severely affect performance, or cause failure of the air conditioner.
- The air conditioner display shows the current room temperature.
- When changing modes while the air conditioner is in operation, the compressor will stop for 3 to 5 minutes before restarting. If a button is pressed during this time, the compressor will not restart for another 3 to 5 minutes.
- In Cooling or Dry mode, the compressor and condenser fan will stop when the room temperature reaches the set temperature.
- On Dry mode, the humidity level is automatically set, but is not able to be displayed.

NOTE: In the event of a power failure, your air conditioner will operate at the previous settings when the power is restored.

Starting Your Portable Air Conditioner

Control panel



NOTE:The symbols may be different from these models, but the functions are similar.

Power On or Off



POWER

NOTE:
Keep upright at least 2 hours before use to prevent damaging the compressor.

At the first time when the air conditioner is plugged in and turned on after your purchase, it will be set in Cool Mode. When the air conditioner is turned on at all other times, it will run according to the previous setting.

Mode

1. Press and release MODE until you see the symbol for the desired setting.

Operating modes:



MODE

2. Choose Cool, Dry, Fan or Heat.

Cool -Cools the room. Press FAN to select High, Mid or Low speeds, Press the Plus or Minus button to adjust the temperature.

COOL

Dry-Dries the room. The air conditioner automatically selects the temperature. The fan runs on Low speed only. Dehumidification ranges between 2 to 3 pints per hour, by model.

NOTE: Dry mode should not be used to cool the room.

DRY

Fan Only mode. Press FAN to select High, Mid or Low.

FAN

Heat-heats the room. Press FAN to select high, Mid or Low speeds. Press the PLUS or MINUS button to adjust the temperature.

NOTE: Heating is NOT available for cooling only models.

HEAT (Optional)

WiFi control is available for connected models with this logo on control panel.



Fan Speed

1. Press and release FAN to choose the desired fan speed.



FAN

2. Choose High, Mid or Low.

High-for maximum fan speed

HIGH

Mid-for normal fan speed

MED

Low-for minimum fan speed

LOW

Temperature

Press the PLUS button to raise the temperature. Press the PLUS button once to increase the set temperature by 1°F (1°C).



Press the MINUS button to lower the temperature. Press the MINUS button once to decrease the set temperature by 1°F (1°C).



NOTE:

- In the Cooling mode, the temperature can be set between 61°F and 86°F (16°C and 30°C).
- In Fan Only mode, the temperature can not be set.
- The unit LED shows the target temperature for 5 seconds and then displays the room temperature.

Change display between °F and °C

To change the temperature display between °F and °C press both the Plus and Minus buttons at the same time.



ION (Optional)

Press the ION button to start or stop the Plasma Generator.

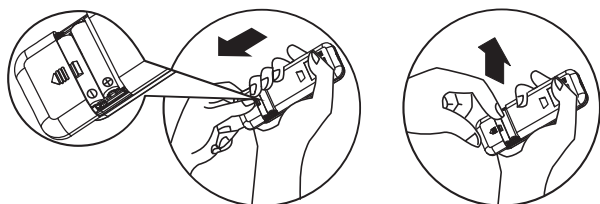


When the ION indicator light of the appliance flashes, the Plasma Generator will turn on.

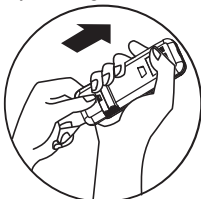
Using the Remote Control

Insert the Batteries

1. Remove the battery cover along the arrowed direction.



2. Insert new batteries making sure that the (+) and (-) of battery are matched correctly.
3. Re-attach the cover by sliding it back into position.



NOTE:

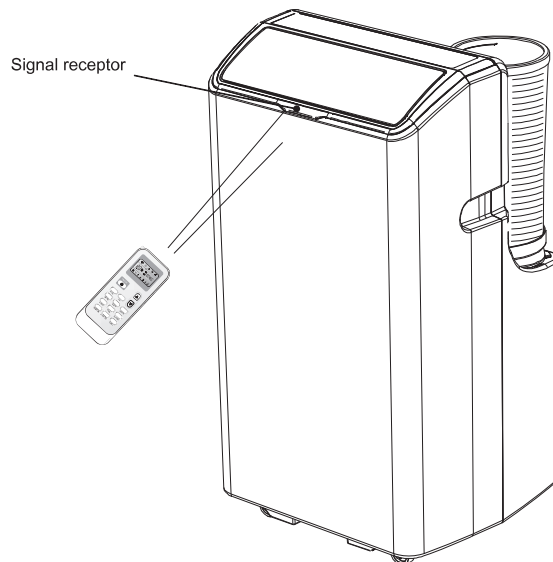
- Use 2 standard AAA(1.5volt) batteries. Do not use rechargeable batteries.
- Replace batteries with new ones of the same type when the display becomes dim, or after 6 months.
- When replacing batteries, always replace both batteries with new batteries. Do not mix old and new batteries. Do not mix alkaline, standard(carbon-zinc), or rechargeable (ni-cd, ni-mh, etc) batteries.
- If the air conditioner will not be used for an extended period of time, remove the batteries from the remote.

⚠ CAUTION

- Do not use the remote if the batteries have leaked. The chemicals in batteries could cause burns or other health hazards.

How to Use

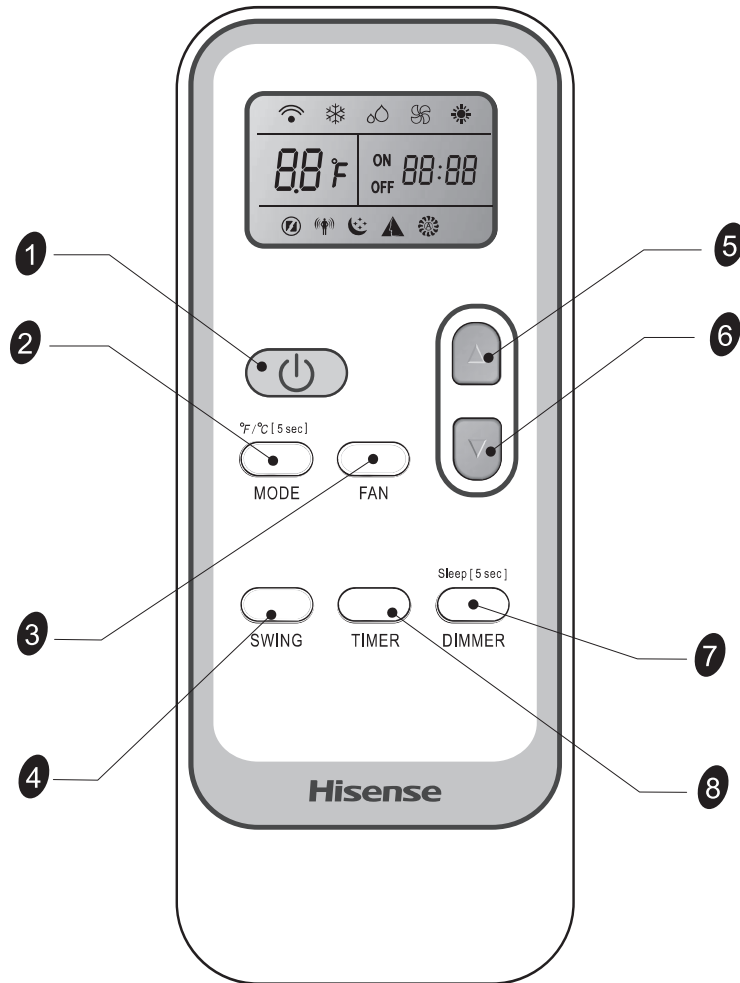
To operate the room air conditioner, aim the remote control at the signal receptor. The remote control will operate the air conditioner at a distance of up to 23'(7m) when pointing at signal receptor of the air conditioner.



Remote control

NOTE:

Remote control may differ in appearance.



Button and Function

1		ON/OFF	5		UP
2		MODE	6		DOWN
3		FAN	7		DIMMER or Sleep
4		SWING	8		Timer On/Off

Indication symbols

Indication symbols on LCD:

	Cooling indicator		Auto fan speed
	Dry indicator		High fan speed
	Fan only indicator		Medium fan speed
	Heating indicator		Low fan speed

NOTE: Press and hold the MODE button on the remote for 5 seconds to switch the temperature display from degrees Fahrenheit(F) to degrees Celsius(C).

	Sleep indicator
	Signal transmit.
	Display set temperature

DIMMER

Press the DIMMER button to turn off the control panel display.



NOTE:

- When in DIMMER mode, new control inputs will return display to normal.

Sleep mode

SLEEP mode can only be set in Cooling, Heating or Drying modes. When in sleep mode the unit will utilize lower, quieter fanspeeds and automatic temperature adjustments offering 8 hours of optimal sleeping conditions before shutting off.



NOTE:

- The appliance will stop operation automatically after operating for 8 hours.
- Fan speed is automatically set at low speed.
- In the Cooling mode, if the current room temperature is below 79°F(26°C), the temperature will automatically increase 1°F(1°C) during the first hour after Sleep control is activated, and continue running at that temperature. If the room temperature is 79°F(26°C) or above, set temperature will not change.
- In Heating mode, the set temperature will decrease by 6°F(3°C) at most, during 3 hours, and continues running at that temperature until auto shut off.

1. Press MODE to select COOL, Heating or DR .

NOTE: Sleep control cannot be selected in Fan mode.

2. Press the UP or DOWN button to set the temperature.

3. Press and hold the DIMMER button on the remote for 5 seconds to switch the DIMMER mode to the Sleep mode.

4. After 5 seconds, the lights on the control panel display will dim.

NOTE: The temperature and airflow direction may be adjusted during Sleep control. The fan speed is automatically set to low speed. After 5 seconds, the lights on the control panel display will dim again.

5. To turn off Sleep control, press MODE, FAN, Sleep or wait 8 hours for Sleep control to turn off automatically.

NOTE: The air conditioner will return to previous settings after Sleep mode is turned off.

TIMER

Use the TIMER function to turn the air conditioner ON/OFF automatically.



Setting the Air Conditioner to Turn On:

- Plug in the air conditioner and use the remote to power it ON.
- Use the remote to set the desired mode, temperature, fan speed, etc.
- Use the remote to power OFF the air conditioner.
- Press TIMER on the remote and use the UP, DOWN buttons to set the desired delay time until the air conditioner turns ON. The delay time can be set from 0 to 24 hours in one-hour increments.
- Press TIMER again to confirm the delay time. The TIMER light on the unit will be on.

Setting the Air Conditioner to Turn OFF:

- Plug in the air conditioner and use the remote to power it ON.
- Use the remote to set the desired mode, temperature, fan speed, etc.
- Press TIMER on the remote and use the UP, DOWN buttons to set the desired delay time until the air conditioner turns OFF. The delay time can be set from 0 to 24 hours in one-hour increments.
- Press TIMER again to confirm the delay time. The TIMER light on the unit will be on.

To cancel TIMER :

Press the TIMER button again. Once a "beep" is heard and the indicator disappears, the TIMER mode has been canceled.

NOTE:

- The TIMER function can only be set by the remote control.

SWING

Press SWING once to change the vertical airflow direction. Press again to hold the louver in a desired position.



NOTE:

- Airflow is automatically adjusted to a preset direction after turning on the unit.
- The direction of airflow can be adjusted by pressing the SWING button.
- Do not turn the airflow louvers manually, to prevent damage, turn off the unit first and cut off the power supply. Then restore power again after adjustment.

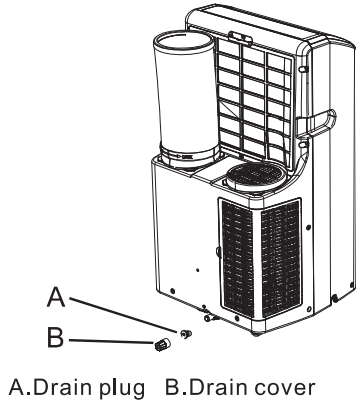
Normal Sounds

When your air conditioner is operating normally, you may hear sounds such as:

- Air movement from the fan.
- Clicks from the thermostat cycling.
- Vibration or noise due to poor wall or window construction.
- A high-pitched hum or pulsating noise caused by the high-efficiency compressor cycling on and off.

PORTABLE AIR CONDITIONER CARE

Draining the Air Conditioner(non-Heating models)



WARNING

Excessive Weight Hazard

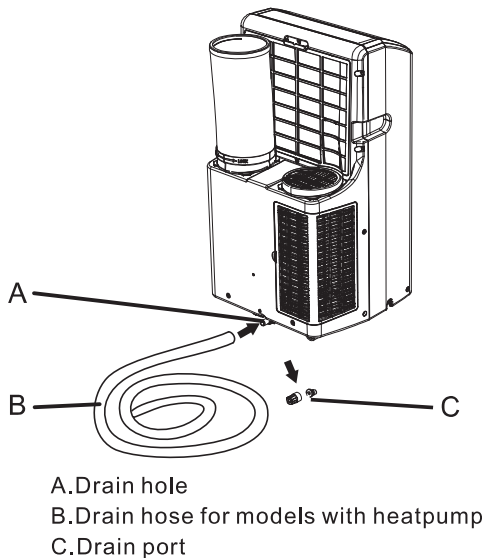
Use two or more people to move and install the air conditioner.
Failure to do so can result in back or other injury.

1. Unplug the air conditioner or disconnect power.
2. Move the air conditioner to a drain location or outside.

NOTE: To avoid leaking water from the unit, move the air conditioner slowly and keep it level.

3. Remove the primary drain cover and plug.
4. Drain water completely through the drain hole.
NOTE: If the air conditioner will be stored after use, see "Storing After Use".
5. Reinstall the drain plug to the primary drain hole.
6. Reinstall the primary drain cover to the drain hole.
7. Reposition the air conditioner.
8. Plug in the air conditioner or reconnect power.

Draining the Air Conditioner(Heating models)



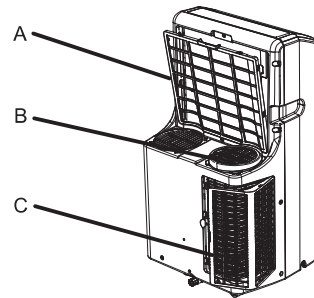
WARNING: Please connect the drain hose on heating mode, or the unit will stop running after the water the water reaches warning level.

1. Uncover the primary drain port.
2. Attach the drain hose to the primary drain hose. Make sure the connector has no water leak.
3. Place the other end of drain hose into a outfall. Check to see that the hose lies flat and is in the drain. Make sure the hose end that goes to the drain is on a lower level than the hose end that connects to the unit. The hose should not be kinked or pinched.

Cleaning the Outside

1. Press ON/OFF to turn off the air conditioner.
2. Unplug the air conditioner or disconnect power.
3. Remove the air filter and clean separately. See "cleaning the Air Filter".
4. Wipe the outside of the air conditioner with a soft, damp cloth.
5. Plug in the air conditioner or reconnect power.
6. Press ON/OFF to start the air conditioner.

Cleaning the Air Filter



1. Press ON/OFF to turn off the air conditioner.
2. Open the filter panel door on the back of the air conditioner and remove.
3. Use a vacuum cleaner to clean the filter. If the filter is very dirty, wash the filter in warm water with a mild detergent.
NOTE: Do not wash the filter in the dishwasher or use any chemical cleaners.
4. Air dry the filter completely before replacing to ensure maximum efficiency.
5. Reattach the air filter to the filter panel door.
6. Reinstall the filter panel door.
7. Press ON/OFF to start the air conditioner.

Storing After Use

If the air conditioner will not be used for an extended period of time:

1. Drain the water completely. See "draining the Air Conditioner".
2. Run the air conditioner set to Fan Only for approximately 12 hours to dry the air conditioner.
3. Unplug the air conditioner.

4. Remove the window kit and store with the air conditioner in a clean, dry area. See "Installation Instructions".
5. Remove the filter and clean. See Cleaning the Air Filter.
6. Clean the outside of the air conditioner. See "Cleaning the Outside".
7. Reinstall the filter.
8. Remove the batteries and store the remote control with the air conditioner in a clean, dry area.

Before using the air conditioner again:

1. Make sure the filter and drain cap are in place.
2. Check the power cord to make sure it is in good condition, with no cracks or damage.
3. Place new batteries in the remote.
4. Install the air conditioner. See "Installation Instructions".

TROUBLESHOOTING

Before calling for service, please try the suggestions below.

Air conditioner will not operate

WARNING

Electrical Shock Hazard

Plug into a grounded 3 prong outlet.

Do not remove ground prong.

Do not use an adapter.

Do not use an extension cord.

Failure to follow these instructions can result in death, fire, or electrical shock.

- **The power supply cord is unplugged.**
Plug into a grounded 3 prong outlet. See "electrical Re uirements."
- **Time-delay fuse or circuit breaker of the wrong capacity is being used.**
Replace with a time-delay fuse or circuit breaker of the correct capacity. See "electrical Re uirements".
- **The power supply cord has tripped (Reset button has popped out).**
Press and release RESET (listen for click; Reset button will latch and remain in) to resume operation.
- **A household fuse has blown, or a circuit breaker has tripped.**
Replace the fuse, or reset the circuit breaker. See "Electrical Re uirements".
- **The On/Off button has not been pressed.**
Press ON/OFF.
- **The local power has failed.**
Wait for power to be restored.

Air conditioner blows fuses or trips circuit breakers

- **Too many appliances are being used on the same circuit.**
Unplug or relocate appliances that share the same circuit.
- **You are trying to restart the air conditioner too soon after turning off air conditioner.**
Wait at least 3 minutes after turning off air conditioner before trying to restart the air conditioner.

Air conditioner power supply cord trips (Reset button pops out)

- **Disturbances in your electrical current can trip (Reset button will pop out) the power supply cord.**
Press and release RESET (listen for click; Reset button will latch and remain in) to resume operation.
- **Electrical overloading, overheating, cord pinching or aging can trip (Reset button will pop out) the power supply cord.**
After correcting the problem, press and release RESET (listen for click; Reset button will latch and remain in) to resume operation. If the power cord fails to reset, contact a service technician.

NOTE: A damaged power supply cord must be replaced with a new power supply cord obtained from the product manufacturer and must not be repaired.

Air conditioner seems to run too much

- **Is there a door or window open?**
Keep doors and windows closed.
- **The current air conditioner replaced an older model.**
The use of more efficient components may cause the air conditioner to run longer than an older model, but the total energy consumption will be less. Newer air conditioners do not emit the "blast" of cold air you may be accustomed to from older units, but this is not an indication of lesser cooling capacity or efficiency. Refer to the efficiency rating (EER) and capacity rating (in Btu/h) marked on the air conditioner.
- **The air conditioner is in a heavily occupied room, or heat-producing appliances are in use in the room.**
Use exhaust vent fans while cooking or bathing and try not to use heat-producing appliances during the hottest part of the day. Portable air conditioners are designed as supplemental cooling to local areas within a room. A higher capacity air conditioner may be required, depending on the size of the room being cooled.

Air conditioner runs for a short time only, but room is not cool

- Set temperature is close to room temperature.
Lower set temperature. See "portable Air Conditioner Use".

Display error code

- If the unit displays error code E5, the water container is full. Drain the water, see "Draining the air conditioner". After draining, the unit can be operated again.
- If the unit display error code E1/E2/E3/E4/E6/E7/E9/EA please contact customer service.

Air conditioner runs, but does not cool

- **The filter is dirty or obstructed by debris.**
Clean the filter.
- **Air outlet is blocked.**
Clear air outlet.
- **Set temperature is too high.**
Lower set temperature.

Air conditioner cycles on and off too much

- **The air conditioner is not properly sized for your room.**
Check the cooling capabilities of your portable air

conditioner. Portable air conditioners are designed as supplemental cooling to local areas within a room.

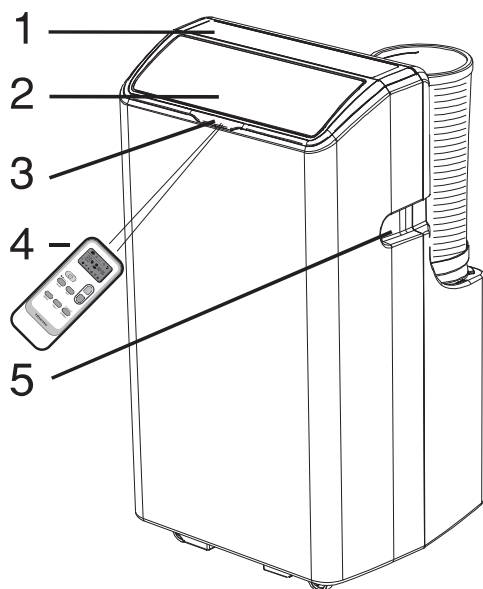
- **The filter is dirty or obstructed by debris.**
Clean the filter.
- **There is excessive heat or moisture, open container cooking, showers, etc. in the room.**
Use a fan to exhaust heat or moisture from the room. Try not to use heat-producing appliances during the hottest part of the day.
- **The louvers are blocked.**
Install the air conditioner in a location where the louvers are free from curtains, blinds, furniture, etc.

TABLA DE CONTENIDOS

IDENTIFICACIÓN DE LAS PARTES	20
SEGURIDAD DEL AIRE ACONDICIONADO	21
REQUISITOS PARA LA INSTALACIÓN	22
Herramientas y piezas	22
Requisitos eléctricos	23
Requisitos para la ubicación	23
INSTRUCCIONES PARA LA INSTALACIÓN	24
Desempaque el aire acondicionado	24
Panel de ventilación de la ventana y extensiones	25
Instalación del aire acondicionado portátil	26
Instalación en ventanas corredizas verticales	27
Instalación en ventanas corredizas horizontales	28
USO DEL AIRE ACONDICIONADO PORTÁTIL	29
Inicio del aire acondicionado portátil	30
Uso del control remoto	31
Sonidos normales	33
CUIDADO DEL AIRE ACONDICIONADO PORTÁTIL	34
Desagüe del aire acondicionado (Modelos sin calefacción) ...	34
Desagüe del aire acondicionado (Modelos con calefacción) ...	34
Limpieza del exterior	34
Limpieza del filtro del aire	34
Almacenamiento después del uso	34
SOLUCIÓN DE PROBLEMAS	35

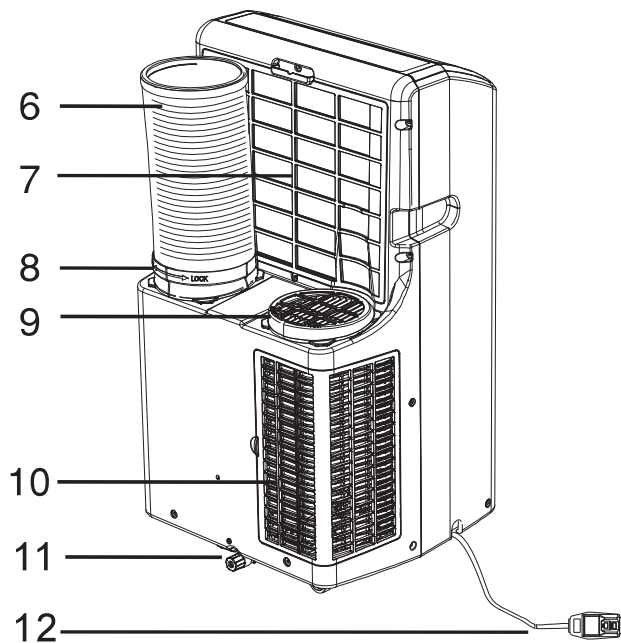
IDENTIFICACIÓN DE LAS PARTES

• Frente

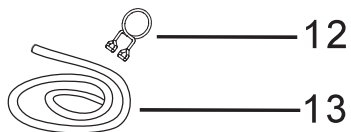


- 1 Panel de control/Pantalla
- 2 Salida del aire frío
- 3 Receptor de señal
- 4 Mando a distancia
- 5 Asa de transporte
- 6 Manguera de descarga flexible
- 7 Entrada de aire del evaporador
- 8 Acople de manguera de salida de aire

• Atrás



- 9 Entrada de aire del condensador secundario
- 10 Entrada de aire del condensador primario
- 11 Puerto de desagüe
- 12 Cable de alimentación (Su modelo podría diferir del mostrado)
- 13 Pinza de la manguera de desagüe (modelos de bomba de calor)
- 14 Manguera de desagüe (modelos de bomba de calor)



⚠ Las imágenes en este manual están basadas en la vista externa de un modelo estándar. Pueden diferir del aire acondicionado que usted eligió.

SEGURIDAD DEL AIRE ACONDICIONADO

Su seguridad y la seguridad de otros son muy importantes.

Hemos proporcionado mensajes de seguridad importantes en este manual y en el electrodoméstico. Lea y siga siempre todos los mensajes de seguridad.



Este es el símbolo de alerta de seguridad.

Este símbolo lo alerta sobre un peligro potencial que puede matarlo o herirlo a usted y a otros.

Todos los mensajes de seguridad estarán seguidos con el símbolo de alerta y la palabra "PELIGRO" o "ADVERTENCIA". Estas palabras quieren decir:



PELIGRO

Un peligro que si no se evita resultará en la muerte o en lesiones graves.



ADVERTENCIA

Un peligro que si no se evita resultará en la muerte o en lesiones graves.

Todos los mensajes de seguridad le dirán qué peligro potencial es y cómo reducir las probabilidades de una lesión.

INSTRUCCIONES DE SEGURIDAD IMPORTANTES

ADVERTENCIA: Para reducir el riesgo de incendios, descargas eléctricas o lesiones cuando utiliza el aire acondicionado, siga estas precauciones básicas:

- Conéctelo a un tomacorriente de 3 patas con conexión a tierra.
- No quite la terminal a tierra.
- No utilice un adaptador eléctrico.
- No utilice un cable de extensión.
- Desconecte el aire acondicionado antes de realizar el mantenimiento.
- Se necesitan dos o más personas para mover e instalar el aire acondicionado.
- El electrodoméstico no está destinado para ser utilizado por niños o personas discapacitadas sin supervisión. Los niños deben ser supervisados para asegurarse de que no jueguen con el electrodoméstico.

GUARDE ESTAS INSTRUCCIONES

ALMACENAMIENTO Y ELIMINACIÓN DE LA UNIDAD

- Recicle o elimine el material de empaque del producto de una manera responsable y ecológica.
- Para evitar que se dañe el compresor, nunca guarde o envíe el aire acondicionado boca abajo o de lado.
- Elimine el electrodoméstico según las normas federales y locales. Se debe eliminar el refrigerante antes de la eliminación.



ADVERTENCIA

Riesgo de Incendio o Explosión. Esta unidad contiene refrigerante inflamable. Se deben seguir las precauciones adicionales de seguridad.

- A fin de acelerar el proceso de descongelación o para limpiar, no use ningún método que no sea el recomendado por el fabricante.
- Este electrodoméstico deberá ser guardado en una sala donde no haya fuentes de encendido continuas (por ejemplo: llamas abiertas, un electrodoméstico que funcione a gas o un calefactor que funcione a electricidad).
- No perfore ni queme el tubo refrigerante. Tenga presente que los refrigerantes no deben tener olor.
- Mantenga las aberturas de la ventilación libres de obstrucciones.
- Al mover, instalar y operar el electrodoméstico, se deberá tener cuidado para evitar dañar la tubería del refrigerante.
- No realice perforaciones en la unidad
- El mantenimiento, la limpieza y el servicio técnico sólo deberán ser realizados por técnicos adecuadamente entrenados y calificados en el uso de refrigerantes inflamables.
- Descarte el electrodoméstico de acuerdo con las Regulaciones Federales y Locales. Los refrigerantes inflamables requieren procedimientos de descarte específicos. A fin de descartar su acondicionador de aire de forma ambientalmente segura, comuníquese con las autoridades locales.

REQUISITOS PARA LA INSTALACIÓN

Herramientas y piezas

Reúna las herramientas y las piezas requeridas antes de comenzar con la instalación.







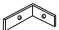




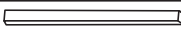
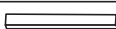




Lea y siga las instrucciones brindadas con las herramientas mencionadas aquí.

Herramientas necesarias

- Destornillador Phillips ■ Tijeras ■ Lápiz ■ Taladro inalámbrico y broca de 1/8"

Piezas suministradas

Verifique que todas las piezas estén incluidas en el empaque. (B y C han sido pre instalados en la máquina en la fábrica)

PIEZAS	NOMBRE DE PIEZA	CANTIDAD
	A. Espuma aislante	1 pieza
	B. Acople	1 pieza
	C. Manguera de escape flexible	1 pieza
	D. Adaptador de escape para la ventana	1 pieza
	E. Remaches	4 pieza
	F. Tornillos	4 pieza
	G. Soporte de bloqueo para la ventana	2 pieza
	H. Sección deslizante exterior con ventilación	1 pieza
	I. Sección deslizante interior corta	1 pieza
	J. Sección deslizante interna	1 pieza
	K. Sección deslizante externa	1 pieza
	L. Espuma aislante larga	3 pieza
	M. Espuma aislante corta	2 pieza
	N. Abrazadera de la manguera de drenaje (modelos con bomba de calor)	1 pieza
	O. Manguera de drenaje (modelos con bomba de calor)	1 pieza
	P. Control remoto	1 pieza
	Q. Estándar AAA (1.5 volt) batería	2 pieza

Requisitos eléctricos

⚠ ADVERTENCIA



Peligro de descarga eléctrica

Conéctelo a un tomacorriente de 3 patas con conexión a tierra.

No quite la terminal a tierra.

No utilice un adaptador.

No utilice un cable de extensión.

El incumplimiento de estas instrucciones puede resultar en la muerte, incendios o descargas eléctricas.

Método de conexión a tierra recomendado

Este aire acondicionado portátil debe estar conectado a tierra. El aire acondicionado portátil está equipado con un cable de alimentación y un tomacorriente de tres patas con conexión a tierra. El cable se debe conectar a un tomacorriente de tres patas con conexión a tierra, conectado a tierra según los códigos y ordenanzas locales. En caso de no disponer de un tomacorriente, es responsabilidad del cliente tener un tomacorriente de tres patas con conexión a tierra instalado por un electricista calificado.

Es responsabilidad del cliente:

Contactar a un electricista calificado.

Garantizar que la instalación eléctrica sea adecuada y conforme al Código Eléctrico Nacional, ANSI/NFPA 70 última edición, y los códigos y ordenanzas locales.

Las copias de las normas mencionadas se pueden obtener de:

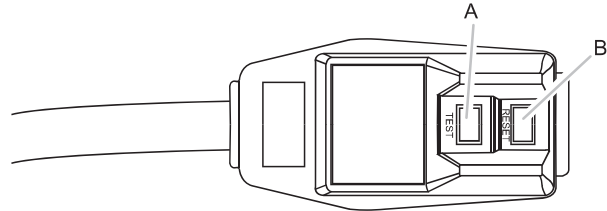
Asociación Nacional de Protección contra el Fuego
1 Batterymarch Park
Quincy, Ma 02169-7471
www.nfpa.org

Requisitos para el cableado

115 V (103.5 mín. a 126.5 máx.)

Fusible de acción retardada de 15 A o disyuntor

Cable de alimentación



A. Botón de prueba

B. Botón de reinicio

NOTA: Su aire acondicionado puede diferir del que se muestra.

Este aire acondicionado está equipado con un cable de alimentación por UL. Este cable de alimentación contiene electrónica avanzada que detecta la corriente residual. Si el cable está aplastado, la electrónica detecta la corriente residual y la energía se desconectará en una fracción de segundos.

Para probar su cable de alimentación:

1. Conecte el cable de alimentación a un tomacorriente de 3 patas con conexión a tierra.
2. Presione TEST (escuche un clic; el botón de reinicio se activará y, en algunos dispositivos, se apagará una luz verde).
3. Presione RESET (en algunos dispositivos se enciende una luz verde).
4. Presione RESET y suéltelo (escuche un clic; el botón de reinicio se detendrá y, en algunos dispositivos, se encenderá una luz verde). El cable de alimentación está listo para funcionar.

NOTAS:

- Para un funcionamiento correcto, debe presionar el botón de reinicio.
- Se debe reemplazar el cable de alimentación si falla o se activa al momento de presionar el botón de prueba o si falla al reiniciar.
- No utilice un cable de alimentación como un interruptor de encendido/apagado. El cable de alimentación está diseñado como un dispositivo de protección.
- Se debe reemplazar el cable de alimentación dañado por un cable nuevo, que se obtiene del fabricante; no se debe reparar.
- El cable de alimentación contiene piezas que el usuario no puede reparar. Si abre la caja a prueba de alteraciones, anulará todas las garantías y demandas de rendimiento.

Requisitos para la ubicación

NOTAS:

- La manguera de escape flexible le permite colocar el aire acondicionado a al menos 20" de la ventana o la puerta.
- Compruebe que se está utilizando un aire acondicionado de tamaño correcto para el espacio a ser enfriado, según las siguientes recomendaciones de tamaños:

Área a ser enfriada	DOE Capacidad necesaria (BTUs)
Habitación de hasta 10' x 25'	250 sq. ft. 5,500/6,000
Habitación de hasta 15' x 20'	300 sq. ft. 6,500/7,000
Habitación de hasta 10' x 35'	350 sq. ft. 7,500/8,000
Habitación de hasta 20' x 20'	400 sq. ft. 8,500/9,000
Habitación de hasta 10' x 45'	450 sq. ft. 9,500/10,000
Habitación de hasta 10' x 55'	550 sq. ft. 10,500/12,000

NOTAS: Combine los BTUs al uso y ubicación de la habitación:

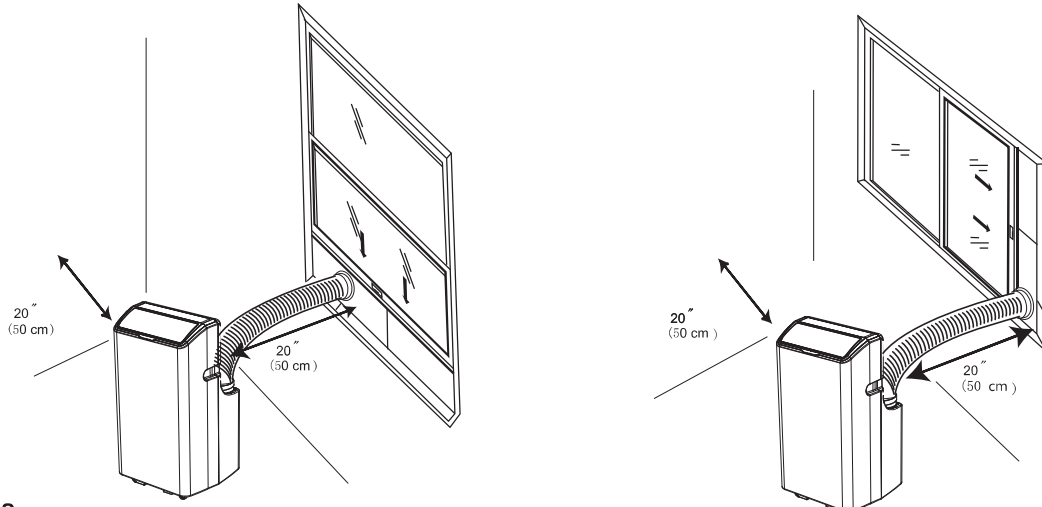
- Una habitación sombreada reduce al siguiente tamaño menor
- Una habitación soleada aumenta al siguiente tamaño mayor
- Para cocinas, aumenta al siguiente tamaño mayor

⚠️ ADVERTENCIA

La longitud de la manguera de escape está diseñada especialmente según la especificación del producto. No la reemplace ni extienda con una manguera particular ya que puede causar mal funcionamiento.

Instalación en ventana corrediza vertical

Instalación en ventana corrediza horizontal



NOTAS:

- Para un mejor rendimiento, deje al menos un espacio de 20 pulgadas en los laterales de la unidad para que el aire circule bien.
- No bloquee la salida del aire.
- Brinde un fácil acceso al tomacorriente de 3 patas con conexión a tierra.
- Para garantizar un funcionamiento correcto, NO extienda demasiado ni doble la manguera. Asegúrese de que no haya obstáculos alrededor de la salida de aire de la manguera de escape para que el sistema de escape funcione correctamente. Todas las ilustraciones en este manual son para fines explicativos solamente. Su acondicionador de aire puede ser ligeramente diferente. La forma real prevalecerá.



INSTRUCCIONES PARA LA INSTALACIÓN

Desempaque el aire acondicionado

⚠️ ADVERTENCIA

Peligro: exceso de peso

Se necesitan dos o más personas para mover e instalar el aire acondicionado.

El incumplimiento de esto puede resultar en lesiones de espalda u otras.

Quite los materiales de empaque

- Quite y recicle los materiales de empaque.

Quite los residuos de cinta o pegamento de la superficie antes de encender el aire acondicionado. Frote con sus dedos una pequeña cantidad con detergente para platos sobre el adhesivo. Enjuague con agua tibia y deje secar.

- No utilice instrumentos filosos, alcohol, líquidos inflamables o limpiadores abrasivos para quitar la cinta o el pegamento. Estos productos pueden dañar la superficie del aire acondicionado.
- Manipule el aire acondicionado con cuidado.
- Mantenga la unidad en forma vertical al menos por 2 horas.

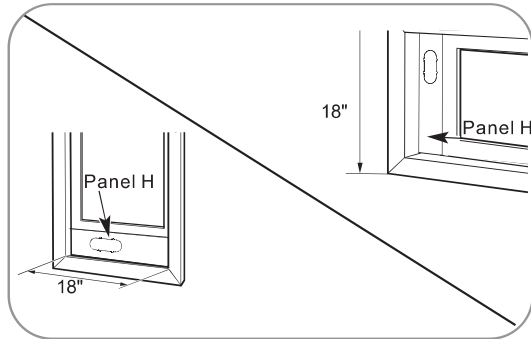
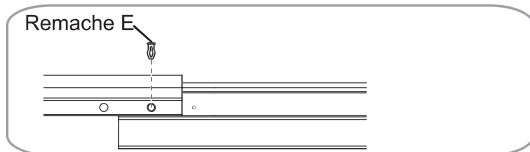
Precaución: Los accesorios de instalación están almacenados en la parte superior de la caja y son necesarios para un rendimiento de enfriado correcto. Quite todos los accesorios del material de empaque antes del uso.

Panel de ventilación de la ventana y extensiones

El kit de instalación de la ventana le permite instalar el aire acondicionado en ventanas verticales de 18" a 50" de ancho o para ventanas horizontales de 18" a 50" de altura.

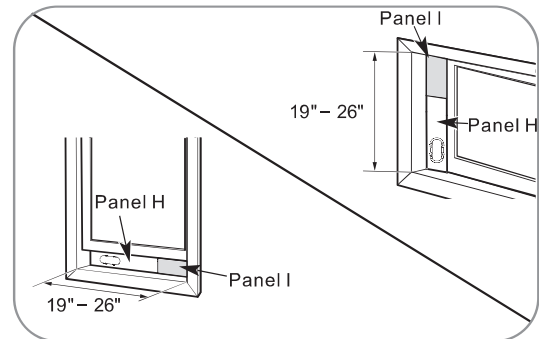
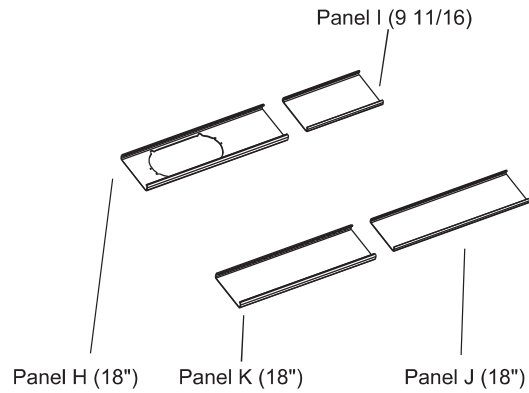
Longitud del panel \ Longitud de la ventana	H	I	J	K	Imagen
18"	✓				a
19" - 26"	✓	✓			b
27" - 34"	✓		✓		c
35" - 50"	✓		✓	✓	d

1. Compruebe el tamaño de la ventana y escoja el ajuste de la tabla de arriba.
2. Si el tamaño de la ventana requiere de más de 2 paneles, después de ajustar la longitud, asegure los paneles con remaches, E.



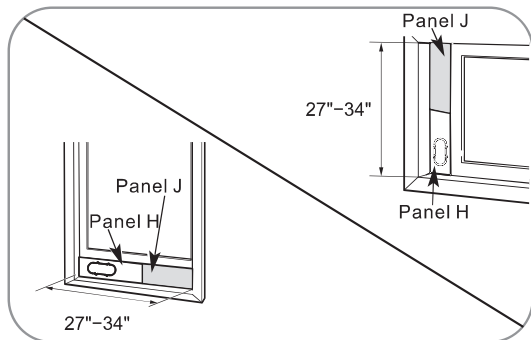
Para una ventana con una abertura de 18", utilice un panel de ventilación.

Imagen "a"



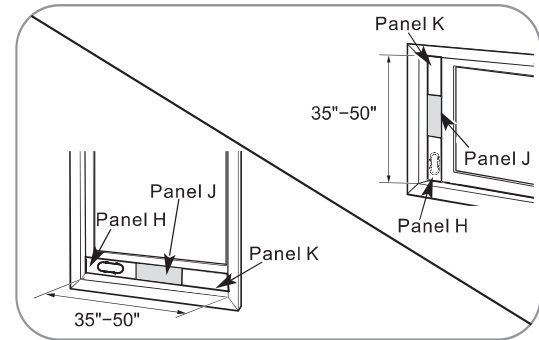
Para ventanas con aberturas desde 19" a 26", utilice un panel de ventilación (Panel H) y un panel de extensión (Panel I).

Imagen "b"



Para ventanas con aberturas desde 27" a 34", utilice un panel de ventilación (Panel H) y un panel de extensión (Panel J).

Imagen "b"



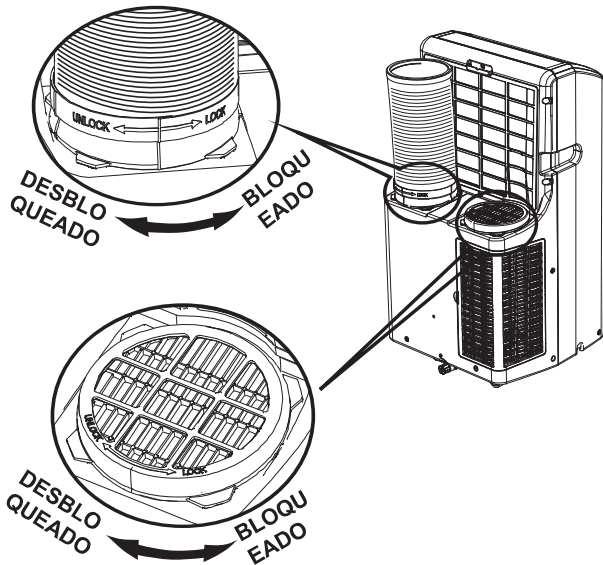
Para ventanas con aberturas desde 35" a 50", utilice un panel de ventilación y dos paneles de extensión (Panel K y Panel J).

Imagen "b"

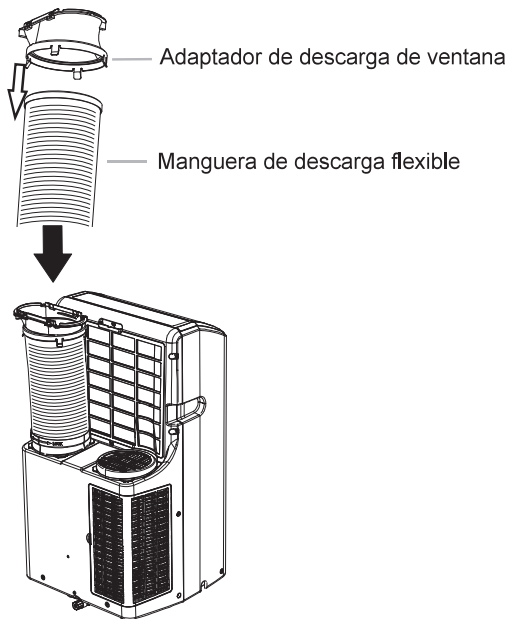
Instalación del aire acondicionado portátil

Instalación de la manguera de escape y del adaptador

1. Instale el climatizador en la ubicación seleccionada. Consulte "Requisitos de ubicación" en la página 12.
2. El acople de la manguera de salida, la manguera de escape flexible y la entrada de aire del condensador secundario han sido pre instalados en la fábrica. Compruebe si están instalados en su lugar. Si está todo bien, vaya al paso 3. De lo contrario, instálelos siguiendo la siguiente imagen.



3. Presione el adaptador de escape de la ventana en la manguera de escape flexible. El adaptador de escape de la ventana cuentan con ganchos que se adaptan en la manguera.



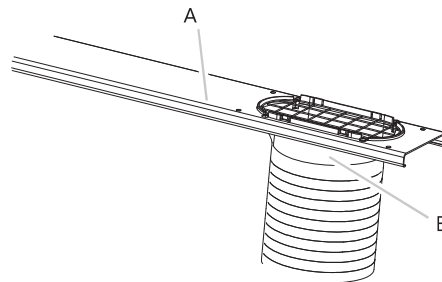
4. Compruebe que la manguera esté asegurada en el lugar antes de ponerlo en funcionamiento.

Instalación en la ventana

El kit de instalación para la ventana ha sido diseñado para adaptarse a ventanas estándares verticales y horizontales. Instale el climatizador en la ubicación seleccionada. Consulte "Requisitos de ubicación" en la página 12.

1. Sujete el adaptador de escape de la ventana a la sección deslizante exterior (la pieza con un orificio de escape grande).

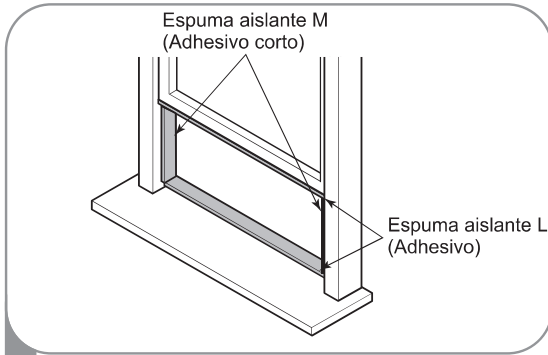
NOTA: Los productos se deben utilizar con el kit de instalación para el ducto de la ventana incluido para un enfriamiento efectivo.



A. Sección deslizante externa
B. Adaptador de escape de la ventana

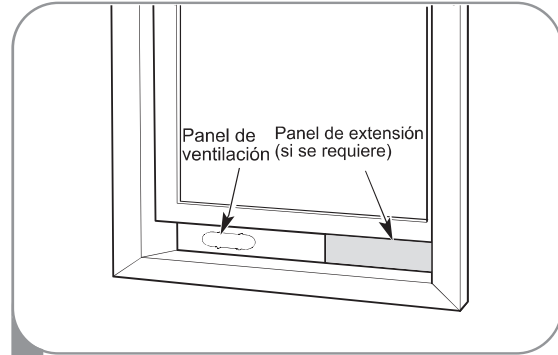
Instalación en ventanas corredizas verticales

NOTA: El kit de instalación de la ventana puede ser utilizado para ventanas deslizantes verticales entre 18" y 50" de ancho.



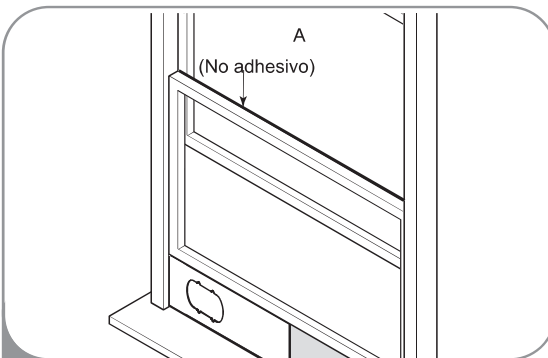
1

Corte la espuma aislante L (adhesivo) y M (adhesivo corto) a la longitud correcta y añádala al marco y guillotina de la ventana.



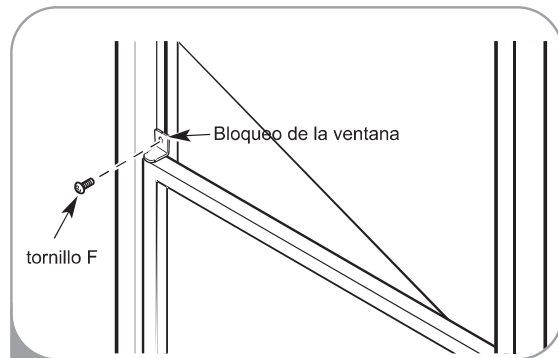
2

Inserte el montaje del panel de ventilación, incluyendo los paneles de extensión, si es necesario, en la abertura de la ventana. Extienda los paneles de extensión, si se utilizaron.



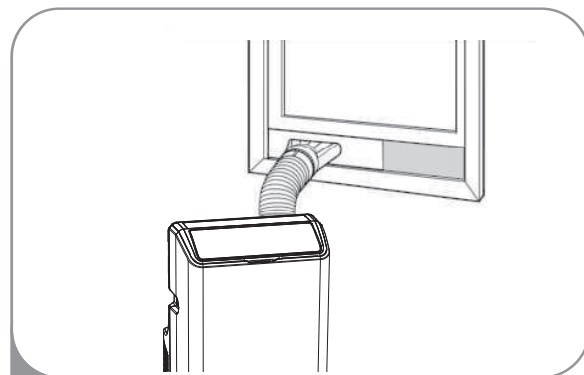
3

Corte la espuma aislante A (no adhesivo) en el ancho de la ventana. Rellene la espuma aislante A entre el vidrio y la ventana para evitar que el aire y los objetos externos ingresen a la habitación.



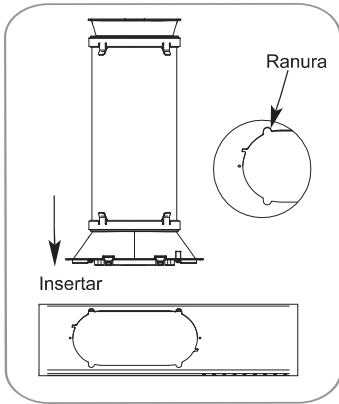
4

En caso de ser necesario, instale el bloqueo de la ventana con el tornillo F como se muestra.

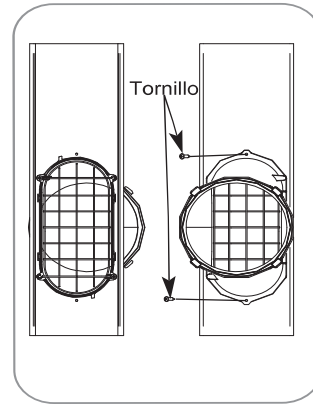


5

Inserte el difusor en la abertura del panel de ventilación y deslícelo para fijarlo en el lugar.



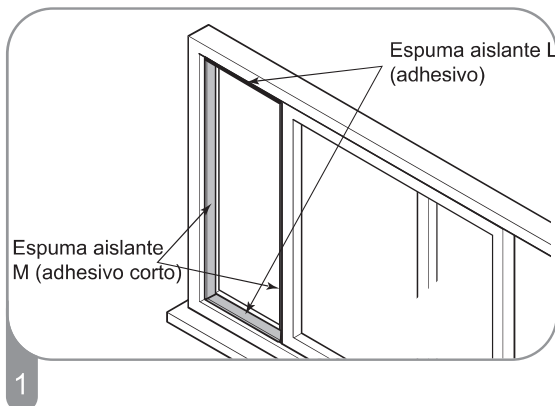
Alinee las solapas en el difusor con las ranuras en el panel de ventilación. Inserte el difusor en la abertura del panel de ventilación.



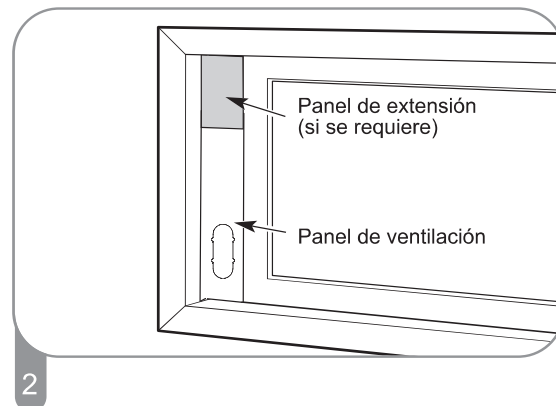
Inserte el tornillo en el orificio del difusor para evitar que el difusor se deslice fuera de la abertura de ventilación.

Instalación en ventanas corredizas horizontales

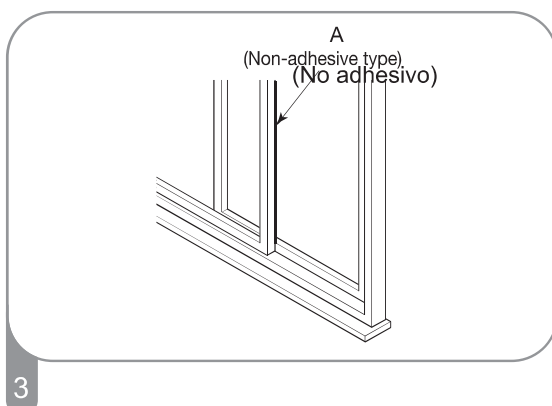
NOTA: El kit de instalación de la ventana puede ser utilizado para ventanas deslizantes horizontales entre 18" y 50" de ancho.



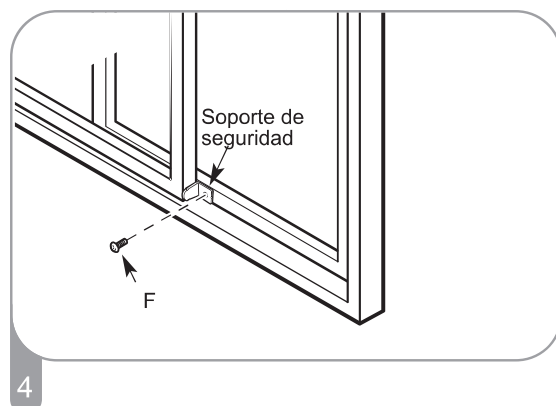
Corte la espuma aislante L (adhesivo) y M (adhesivo corto) a la longitud correcta y añádala al marco y guillotina de la ventana.



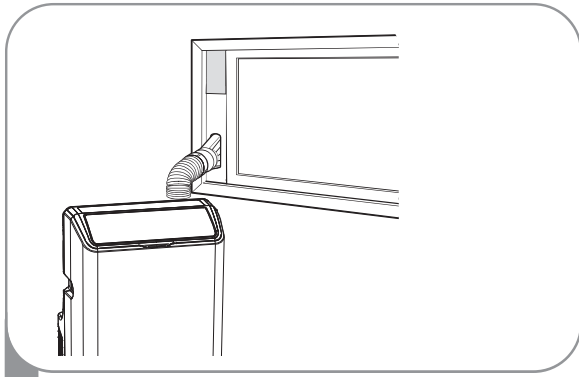
Inserte el montaje del panel de ventilación, incluyendo los paneles de extensión, si es necesario, en la abertura de la ventana. Extienda los paneles de extensión, si se utilizaron.



Corte la espuma aislante A (no adhesivo) en el ancho de la ventana. Rellene la espuma aislante A entre el vidrio y la ventana para evitar que el aire y los objetos externos ingresen a la habitación.

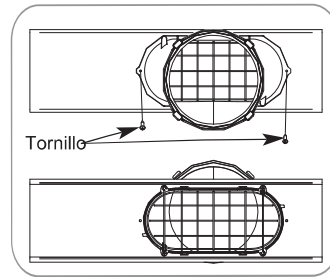


En caso de ser necesario, instale el bloqueo de la ventana con el tornillo F como se muestra.

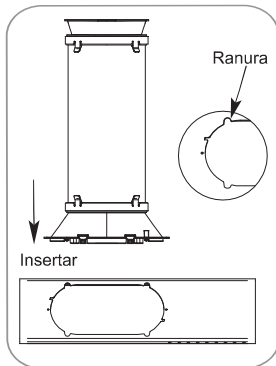


5

Coloque el adaptador de escape de la ventana en la abertura del panel de ventilación



Inserte el tornillo en el orificio del difusor para evitar que el difusor se deslice fuera de la abertura de ventilación.



Alinee las solapas en el difusor con las ranuras en el panel de ventilación. Inserte el difusor en la abertura del panel de ventilación.

USO DEL AIRE ACONDICIONADO PORTÁTIL

Al operar el aire acondicionado portátil correctamente ayuda a obtener los mejores resultados posibles.

Esta sección explica el funcionamiento correcto del aire acondicionado.

IMPORTANTE:

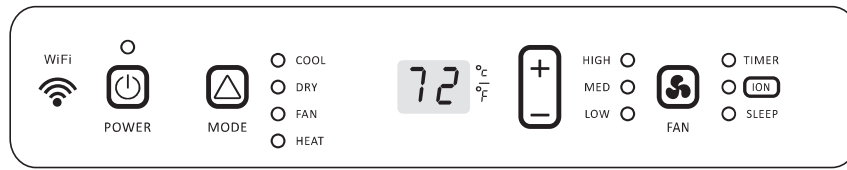
- No permanezca frente al flujo de aire directo del aire acondicionado por largos períodos de tiempo.
- Nunca lo utilice en espacios muy cerrados. Siempre asegúrese de que haya suficiente flujo de aire externo ingresando al hogar especialmente si se utiliza junto con dispositivos combustibles como estufas, chimeneas, calderas y calentador de agua, etc. No coloque el cable de alimentación ni el aire acondicionado cerca de calentadores, radiadores, estufas u otros aparatos (incluso amplificadores) que produzcan calor.
- Este aire acondicionado está destinado para uso hogareño como un electrodoméstico de confort. No lo utilice como un control climático de precisión para uso comercial, o como equipo de precisión para alimentos, mascotas, plantas, arte, etc.

- No bloquee ni obstruya la manguera de escape ya que puede afectar gravemente el rendimiento o causar fallas en el aire acondicionado.
- La pantalla del aire acondicionado muestra la temperatura actual de la habitación.
- Cuando cambia los modos mientras el aire acondicionado está en funcionamiento, el compresor se detendrá por 3 o 5 minutos antes de reiniciarse. Si se presiona un botón durante este período, el compresor no se reiniciará por otros 3 o 5 minutos.
- En modo Cooling (frío) o Dry (seco), el compresor y ventilador del condensador se detendrán cuando la temperatura de la habitación alcance la temperatura establecida.
- En el modo Dry, el nivel de humedad se establece automáticamente pero no está disponible para visualizarlo.

NOTA: En caso de un corte de energía, el aire acondicionado funcionará en la configuración previa cuando la energía vuelva.

Inicio del aire acondicionado portátil

Panel de control



NOTA: los símbolos pueden ser diferentes de estos modelos pero las funciones son similares.

Encendido o Apagado



NOTA:
Manténgalo de forma vertical por al menos 2 horas antes de utilizarlo para evitar que el compresor se dañe.

La primera vez que conecte y encienda el aire acondicionado después de comprarlo, se establecerá en Modo Cool. Cuando encienda el aire acondicionado otras veces, funcionará según la configuración previa.

Modo

1. Presione y suelte MODE hasta que vea el símbolo de la configuración deseada.

Modos de funcionamiento:



2. Seleccione Cooling, Dry, Fan o Heat.

Cool: enfría la habitación. Presione FAN para seleccionar las velocidades alta, media o baja



Dry: seca la habitación. El aire acondicionado selecciona automáticamente la temperatura. El ventilador funciona sólo a velocidad baja. La deshumificación varía entre 2 o 3 pintas por hora, según el modelo.

NOTA: El modo Dry no debería utilizarse para enfriar la habitación.

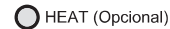


Modo Fan Only (sólo ventilador) Presione FAN para seleccionar alta, media o baja.



Heat: calienta la habitación. Presione FAN para seleccionar la velocidad alta, media o baja. Presione los botones MÁS o MENOS para configurar la temperatura.

NOTA: El modo Heating NO está disponible para los modelos de sólo frío.



El control de WiFi está disponible para los modelos con conexión con este logo en el panel de control.



Velocidad del ventilador

1. Presione y suelte FAN para elegir la velocidad deseada del ventilador.



FAN (Ventilador)

2. Seleccione alto o bajo.

High-for maximum fan speed



Mid - para una velocidad normal del ventilador



Low-for minimum fan speed



Temperatura

Presione el botón MÁS para aumentar la temperatura. Presione el botón MÁS una vez para aumentar la temperatura de a 1°F (1 °C).



Presione el botón MENOS para disminuir la temperatura.

Presione el botón MENOS una vez para disminuir la temperatura de a 1°F (1 °C).



NOTA:

- En el modo Cooling, la temperatura se puede establecer entre 61°F y 86°F (16°C y 30°C).
- En el modo Fan Only, la temperatura no se puede establecer.
- La unidad LED muestra la temperatura meta durante 5 segundos y luego muestra la temperatura de la habitación.

Cambie la pantalla entre °F y °C

Para cambiar la temperatura que se muestra entre °F y °C, presione los botones MÁS y MENOS al mismo tiempo.



ION (Opcional)

Presione el botón ION para iniciar o detener el generador de plasma.

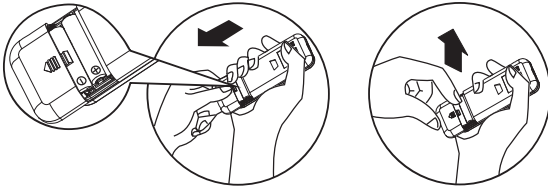


Cuando la luz del indicador ION del electrodoméstico parpadea, el generador de plasma se encenderá.

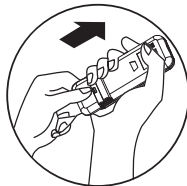
Uso del control remoto

Coloque las pilas

1. Quite la tapa siguiendo la dirección de la flecha.



2. Coloque las nuevas pilas asegurándose que el (+) y el (-) de la pila se emparejen correctamente.
3. Vuelva a colocar la tapa deslizándola en sentido contrario.



NOTA:

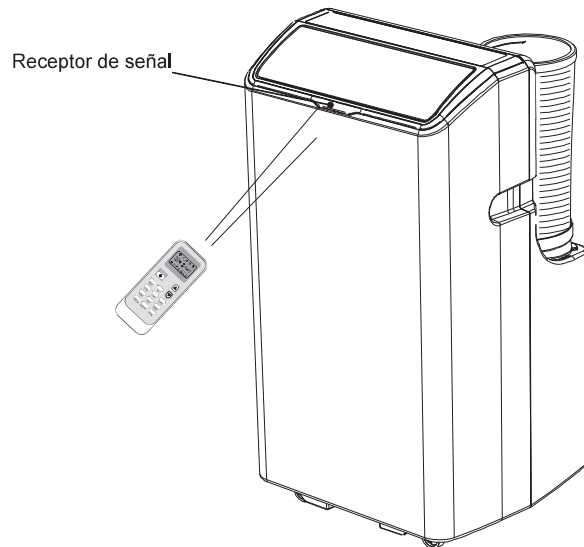
- Utilice 2 pilas estándar AAA (1.5volt). No utilice pilas recargables. Reemplace las pilas con unas nuevas del mismo tipo cuando la pantalla se vuelva tenue o después de 6 meses..
- Al momento de cambiar las pilas, reemplace siempre ambas pilas por unas nuevas.No mezcle pilas viejas y nuevas. No mezcle pilas alcalinas, estándar (carbono-zinc) o recargables (ni-cd, ni-mh, etc.).
- Si no se va a utilizar el aire acondicionado por un largo periodo, quite las pilas del control remoto.

⚠ PRECAUCIÓN

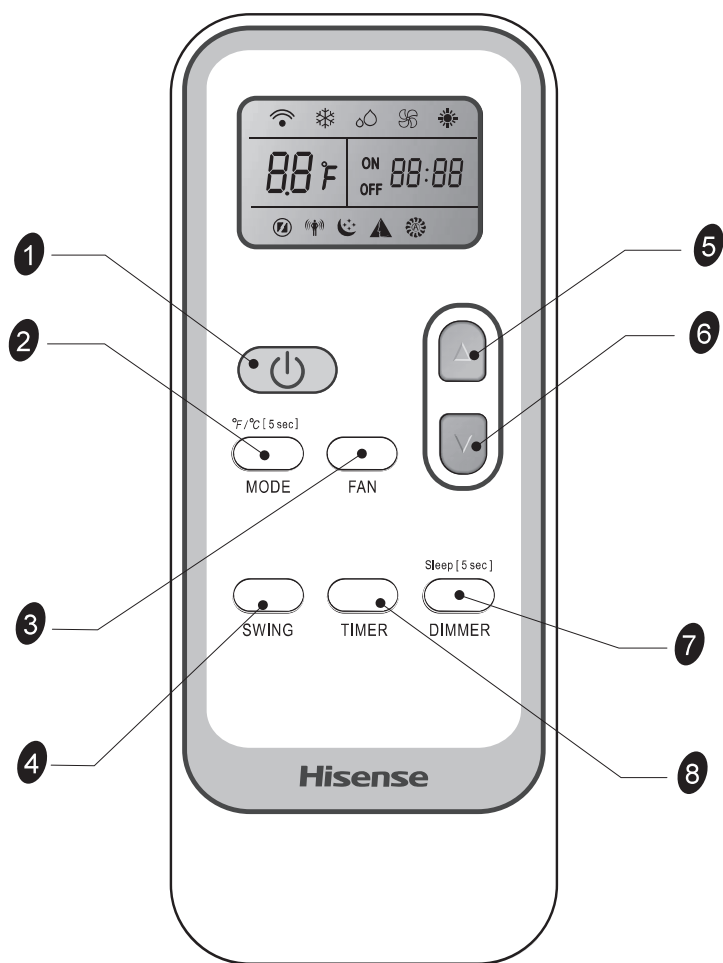
- No utilice el control remoto si las pilas tienen fugas. Los químicos de las pilas pueden causar quemaduras u otros daños a la salud.

Cómo se utiliza

Para operar el aire acondicionado, dirija el control remoto a la señal del receptor. El mando a distancia operará el climatizador a una distancia de hasta 23'(7m) cuando apunte al receptor de señal del climatizador.



NOTA:
El control remoto puede diferir en la apariencia.



Botón y función

1		ENCENDIDO/APAGADO	5		ARRIBA
2		MODO	6		DOWN
3		FAN (Ventilador)	7		DIMMER o Sleep
4		SWING	8		TEMPORIZADOR ENCENDIDO/APAGADO

Símbolos indicativos

Símbolos indicativos en el LCD:

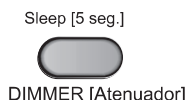
	Indicador Cooling		Velocidad automática del ventilador
	Indicador Dry		Velocidad alta del ventilador
	Indicador Fan Only		Velocidad media del ventilador
	Indicador Heating		Velocidad baja del ventilador

NOTA: Mantenga presionado el botón MODE en el control remoto durante 5 segundos para cambiar la temperatura desde grados Fahrenheit (°F) a grados centígrados (°C).

	Indicador Sleep
	Transmisión de la señal.
	Pantalla de configuración de la temperatura

DIMMER [Atenuador]

Presione el botón DIMMER para apagar la pantalla del panel de control.

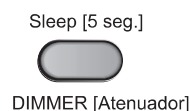


NOTA:

- En el modo DIMMER, los nuevos ingresos del control volverán la pantalla a normal.

Modo Sleep (Reposo)

El modo SLEEP sólo se puede establecer en Cooling, Heating o Drying. En el modo de reposo, la unidad utiliza las velocidades más bajas y tranquilas del ventilador y el ajuste de temperatura automático ofrece 8 horas de descanso óptimo antes de apagarse.



NOTA:

- El electrodoméstico se apagará automáticamente luego de haber funcionado por 8 horas.
 - La velocidad del ventilador se establece automáticamente a velocidad baja.
 - En el modo Cooling, si la temperatura actual es menor a 79°F (26°C), la temperatura aumentará automáticamente 1°F (1°C) durante la primera hora después de activar el modo reposo y continuará funcionando a esa temperatura. Si la temperatura de la habitación es de 79°F (26°C), la temperatura no cambiará.
 - En el modo Heating, la temperatura disminuirá por 6°F (3°C) como máximo, durante 3 horas, y continuará funcionando a esa temperatura hasta que automático se apague.
1. Presione MODE para seleccionar COOL, HEATING o DRY.
NOTA: El control de reposo no se puede seleccionar en el modo Fan.
 2. Presione el botón ARRIBA o ABAJO para establecer la temperatura.
 3. Mantenga presionado el botón DIMMER en el control remoto durante 5 segundos para cambiar del modo DIMMER al modo de reposo.
 4. Después de 5 segundos, las luces de la pantalla del control se atenuarán.
NOTA: La temperatura y la dirección del flujo de aire se pueden modificar durante el modo de reposo. La velocidad del ventilador se establece automáticamente a velocidad baja. Después de 5 segundos, las luces de la pantalla del control se atenuarán nuevamente.
 5. Para desactivar el modo de reposo, presione MODE, FAN, Sleep o espere 8 horas para que el modo de reposo se desactive automáticamente. o turn off automatically.

NOTA: El aire acondicionado volverá a la configuración previa luego de que el modo de reposo se desactive.

TEMPORIZADOR

Utilice la función TIMER para apagar/prender el aire acondicionado automáticamente.



Configuración del aire acondicionado para encenderlo:

1. Conecte el aire acondicionado y utilice el control remoto para ENCENDERLO.
2. Utilice el control remoto para establecer el modo, la temperatura, velocidad del ventilador, etc.
3. Utilice el control remoto para APAGAR el aire acondicionado.
4. Presione TIMER en el control remoto y utilice los botones ARRIBA, ABAJO para establecer el tiempo de demora deseado hasta que el aire acondicionado se ENCIENDA. El tiempo de demora se puede establecer desde 0 hasta 24 horas en incrementos de una hora.
5. Presione TIMER nuevamente para ingresar el tiempo de retraso. El indicador LED del modo TIMER se ilumina en el aire acondicionado y el tiempo de retraso aparece en el control remoto.

Configuración del aire acondicionado para APAGARLO:

1. Conecte el aire acondicionado y utilice el control remoto para ENCENDERLO.
2. Utilice el control remoto para establecer el modo, la temperatura, velocidad del ventilador, etc.
3. Presione TIMER en el control remoto y utilice los botones ARRIBA, ABAJO para establecer el tiempo de demora deseado hasta que el aire acondicionado se APAGUE. El tiempo de demora se puede establecer desde 0 hasta 24 horas en incrementos de una hora.
4. Presione TIMER nuevamente para ingresar el tiempo de retraso. El indicador LED del modo TIMER se ilumina en el aire acondicionado y el tiempo de retraso aparece en el control remoto.

Para cancelar TIMER:

Presione nuevamente el botón TIMER, cuando escuche un "bip" y el indicador desaparezca, el modo TIMER se cancela.

NOTA:

- La función TIMER sólo se puede establecer utilizando el control remoto.

SWING

Presione SWING una vez para cambiar la dirección vertical del flujo de aire. Presione nuevamente para mantener las persianas en la posición deseada.



NOTA:

- El flujo de aire se establece automáticamente a la dirección presente después de encender la unidad.
- La dirección del flujo de aire se puede establecer al presionar el botón SWING.
- No mueva las persianas del flujo de aire manualmente; para evitar daños, primero apague la unidad y corte el suministro eléctrico. Restablezca el suministro eléctrico después del ajuste.

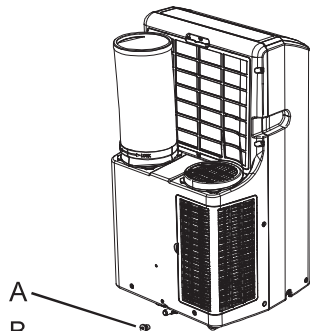
Sonidos normales

Cuando el aire acondicionado funciona con normalidad, puede escuchar sonidos como:

- El movimiento del aire desde el ventilador.
- "Clicks" desde el ciclo del termostato.
- Vibración o ruido debido a la pobre construcción de la pared o la ventana.
- Un zumbido agudo o un ruido punzante causado por el ciclo de encendido y apagado del compresor de alta eficiencia.

CUIDADO DEL AIRE ACONDICIONADO PORTÁTIL

Desagüe del aire acondicionado (Modelos sin calefacción)



A. Tapón de drenaje B. Cobertor del drenaje

⚠ ADVERTENCIA

Peligro: exceso de peso

Se necesitan dos o más personas para mover e instalar el aire acondicionado.

El incumplimiento de esto puede resultar en lesiones de espalda u otras.

1. Desconecte el aire acondicionado o corte la electricidad.
2. Mueva el aire acondicionado a un desagüe o afuera.

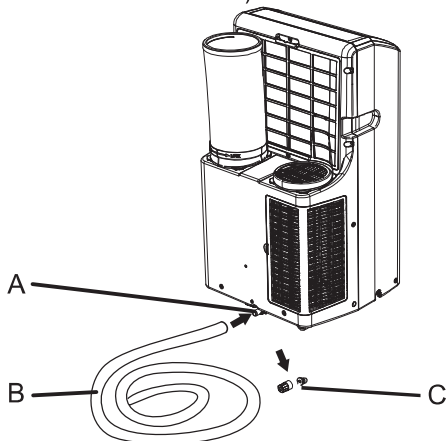
NOTA: Para evitar fugas de agua en la unidad, mueva el aire acondicionado lentamente y manténgalo nivelado.

3. Quite el cobertor de desagüe principal y el tapón.
4. Drene el agua completamente a través del orificio de drenaje.

NOTA: Si se guarda el aire acondicionado después del uso, refiérase a "Almacenamiento después del uso".

5. Vuelva a colocar el tapón en el orificio de desagüe principal.
6. Vuelva a colocar el cobertor del desagüe principal en el orificio.
7. Vuelva a colocar el aire acondicionado en el lugar.
8. Conecte el aire acondicionado o vuelva a conectar la electricidad.

Desagüe del aire acondicionado (Modelos con calefacción)



A. Orificio de drenaje
B. Manguera de desagüe para los modelos con bomba de calor
C. Puerto de drenaje

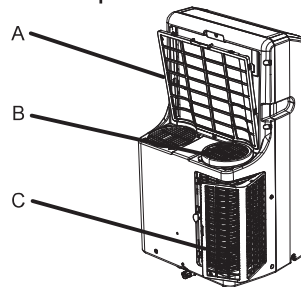
ADVERTENCIA: Conecte la manguera de drenaje en el modo Heating, o la unidad dejará de funcionar después de que el agua alcance el nivel de advertencia.

1. Destape el puerto de drenaje principal.
2. Añada la manguera al puerto de drenaje principal. Asegúrese de que el conector no tenga fugas de agua.
3. Coloque el otro extremo de la manguera en la desembocadura. Verifique que la manguera esté plana y en el desagüe. Asegúrese de que el extremo de la manguera que va hacia el desagüe esté un nivel más abajo que el extremo conectado en la unidad. La manguera no debe estar retorcida ni apretada.

Limpieza del exterior

1. Presione el botón ENCENDIDO/APAGADO para apagar el aire acondicionado.
2. Desconecte el aire acondicionado o corte la electricidad.
3. Quite el filtro de aire y límpielo de forma separada.
4. Moje el exterior del aire acondicionado con un paño suave y húmedo.
5. Conecte el aire acondicionado o vuelva a conectar la electricidad.
6. Presione el botón ENCENDIDO/APAGADO para encender el aire acondicionado.

Limpieza del filtro del aire



A. Puerta del panel del filtro de entrada de aire del evaporador (incluye el filtro de aire)
B. Filtro de entrada de aire del segundo condensador en el panel de la puerta (incluye el filtro de aire)
C. Entrada de aire del condensador primario en el panel de la puerta

1. Presione el botón ENCENDIDO/APAGADO para apagar el aire acondicionado.
2. Abra la puerta del panel del filtro en la parte trasera del aire acondicionado y quítela.
3. Utilice una aspiradora para limpiar el filtro. Si el filtro está muy sucio, lave el filtro con agua tibia y detergente suave. NOTA: No lave el filtro con detergente para vajillas ni utilice limpiadores químicos.
4. Seque completamente el filtro antes de volver a colocarlo para garantizar una máxima eficiencia.
5. Vuelva a colocar el filtro de aire en la puerta del panel del filtro.
6. Vuelva a colocar la puerta del panel del filtro.
7. Presione el botón ENCENDIDO/APAGADO para encender el aire acondicionado.

Almacenamiento después del uso

Si no se va a utilizar el aire acondicionado por un largo periodo:

1. Drene completamente el agua. Refiérase a "Desagüe del aire acondicionado".
2. Haga funcionar el aire acondicionado en el modo Fan Only durante 12 horas para secar el aire acondicionado.
3. Desconecte el aire acondicionado.
4. Quite la manguera de escape flexible y guárdela junto con el aire acondicionado en un área limpia y seca. Refiérase a "Instrucciones para la instalación".
5. Quite kit de la ventana y guárdelo junto con el aire acondicionado en un área limpia y seca. Refiérase a "Instrucciones para la instalación".
6. Quite el filtro y límpielo. Refiérase a "Limpieza del filtro del aire".

7. Limpie el exterior del aire acondicionado. Refiérase a "Limpieza del exterior".
8. Vuelva a colocar el filtro.

Antes de volver a utilizar el aire acondicionado:

1. Asegúrese de que el filtro y el tapón del desagüe estén en el lugar.
2. Compruebe el cable de alimentación y asegúrese de que esté en buenas condiciones sin rajaduras ni daños.
3. Coloque pilas nuevas en el control remoto.
4. Instale el aire acondicionado. Refiérase a "Instrucciones para la instalación".

SOLUCIÓN DE PROBLEMAS

Antes de llamar al servicio, intente las siguientes sugerencias.

El aire acondicionado no funciona



ADVERTENCIA

Peligro de descarga eléctrica

Conéctelo a un tomacorriente de 3 patas con conexión a tierra.
No quite la terminal a tierra.
No utilice un adaptador.
No utilice un cable de extensión.
El incumplimiento de estas instrucciones puede resultar en la muerte, incendios o descargas eléctricas.

- El cable de alimentación está desconectado. Conéctelo a un tomacorriente de 3 patas con conexión a tierra. Refiérase a "Requisitos eléctricos".
- **Se está utilizando un fusible de retraso o disyuntor de una capacidad incorrecta.** Reemplace el fusible de retraso o el disyuntor con uno de la capacidad correcta. Refiérase a "Requisitos eléctricos".
- **El cable de alimentación salta (el botón de reinicio salta).** Presione RESET suéltelo (escuchará un clic; el botón de reinicio se detendrá y permanecerá así) para que vuelva a funcionar.
- **Se quemó un fusible o el disyuntor saltó.** Reemplace el fusible o reinicie el disyuntor. Refiérase a "Requisitos eléctricos".
- **No se presionó el botón encendido/apagado.** Presione ENCENDIDO/APAGADO.
- **Se cortó la electricidad local.** Espere a que vuelva la electricidad.

El aire acondicionado quema fusibles o hace saltar disyuntores.

- **Se están utilizando muchos electrodomésticos en el mismo circuito.** Desconecte o reubique los electrodomésticos que comparten el mismo circuito.
- **Está tratando de reiniciar el aire acondicionado demasiado rápido después de haberlo apagado.** Espere al menos 3 minutos después de apagar el aire acondicionado antes de intentar reiniciarlo.

El cable de alimentación del aire acondicionado salta (el botón de reinicio salta)

- **Las alteraciones en la corriente eléctrica pueden hacer saltar (el botón de reinicio saltará) el cable de alimentación.** Presione RESET y suéltelo (escuchará un clic; el botón de reinicio se detendrá y permanecerá así) para que vuelva a funcionar.
- **La sobrecarga eléctrica, el sobrecalentamiento, el cable apretado o uno viejo pueden hacer saltar (el botón de reinicio saltará) el cable de alimentación.** Después de corregir el problema, presione RESET y suéltelo (escuche un clic; el botón de reinicio se detendrá y permanecerá así) para volver a funcionar. Si el cable de alimentación no reinicia, contacte a un técnico del servicio.

NOTA: Se debe reemplazar el cable de alimentación dañado por un cable nuevo, que se obtiene del fabricante; no se debe reparar.

El aire acondicionado parece funcionar mucho.

- **¿Hay alguna puerta o ventana abierta?** Mantenga las puertas y ventanas cerradas.
- **El aire acondicionado actual reemplaza a un modelo viejo.** El uso de componentes más eficientes puede hacer que el aire acondicionado funcione más que un modelo viejo pero el consumo total de energía será menor. Los aires acondicionados más nuevos no emiten la "ráfaga" de aire frío a la que puede estar acostumbrado por las unidades viejas, pero esto no indica menos capacidad de enfriado o eficiencia. Refiérase al índice de eficiencia (EER) e índice de capacidad (en Btu/h) señalado en el aire acondicionado.
- **El aire acondicionado está en una habitación muy ocupada o se están utilizando electrodomésticos que emiten calor en la habitación.** Utilice ventiladores mientras cocina o se baña y trate de no utilizar electrodomésticos que emitan calor durante la parte más calurosa del día. Los aires acondicionados portátiles están diseñados como una refrigeración suplementaria para áreas locales dentro de la habitación. Se puede requerir un aire acondicionado de mayor capacidad dependiendo del tamaño de la habitación a enfriar.

El aire acondicionado sólo funciona por un corto tiempo pero la habitación no está fresca.

- **La temperatura establecida está muy cerca a la temperatura de la habitación.** Baje la configuración de la temperatura. Refiérase a "Uso del aire acondicionado portátil".

La pantalla muestra código de error

- **Si la unidad muestra el código de error E5, el contenedor de agua está lleno.**
Drene el agua, refiérase a "Desagüe del aire acondicionado". Luego, la unidad puede funcionar nuevamente.
- **Si la unidad muestra el código de error E1/E2/E3/E4/E6/E7/E9/EA** Contacte al servicio al cliente.

El aire acondicionado funciona pero no enfría.

- **El filtro está sucio u obstruido por restos.**
Limpie el filtro
- **La salida del aire está bloqueada.**
Limpie la salida del aire.
- **La temperatura establecida está muy alta.**
Baje la configuración de la temperatura.

El aire acondicionado se apaga y se prende con frecuencia

- **El aire acondicionado no es del tamaño correcto para la habitación.**

Verifique las capacidades de enfriado de su aire acondicionado portátil. Los aires acondicionados portátiles están diseñados como una refrigeración suplementaria para áreas locales dentro de la habitación.

- **El filtro está sucio u obstruido por restos.**

Limpie el filtro.

- **Hay calor o humedad excesiva, cocinas abiertas, duchas, etc. en la habitación.**

Utilice un ventilador para quitar el calor o la humedad de la habitación. Trate de no utilizar electrodomésticos que emitan calor durante la parte más calurosa del día.

- **Las persianas están bloqueadas.**

Instale el aire acondicionado en un lugar donde las persianas estén lejos de cortinas, persianas, muebles, etc.

