



INSTALLATION GUIDE

Hisense Laser TV Display Screen

Before you install this product, read this guide completely and make sure you understand all of the content.

Product Description

The Hisense Laser TV Display Screen has a bezel trim and is designed to be used in rooms where the ceiling light cannot be moved.

Maintaining the Screen

Dust, dirt and scratches on the screen will affect how images appear. Follow the instructions below to properly maintain the screen.

- 1) The screen surface has a horizontal structure. **DO NOT** wipe the screen up and down or in a circular motion.
Wipe from left to right only.
- 2) Clean the dust on the screen surface with a soft brush or microfiber cloth. A rough towel or cloth might damage the surface.
- 3) Gently wipe the screen with a moistened microfiber cloth with mild soap diluted in water.

IMPORTANT:

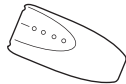
Take heed to the following precautions at all times in order to avoid damaging the screen. It is not covered under warranty.

- Don't **touch** the screen material to avoid leaving fingerprints. **Use gloves when handling the material.**
- Don't **scratch** the material, as it will leave permanent markings on the screen's surface.
- Don't **point** to the screen material with a fingertip or other sharp objects to prevent damage to the material.
- Don't use acetone, benzene, alcohol and any other organic solvents to clean the screen material. Using such chemicals will permanently damage the screen.

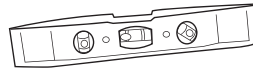
Required Tools to Install the Screen



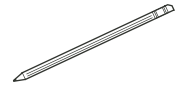
Tape measure



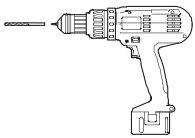
Stud finder



Level



Pencil



Screwdriver with 5/16"(8mm) drill bit for wood stud



Hammer for concrete anchors



Phillips screwdriver



Tape

Hardware and Parts List for Screen Mounts



ST5.5x70 Screws (x4)



M3x6 Screws (x6)



Hanging component (x2)



Handle (x2)



Bracket wands (x2)
460mm



Bracket wands (x2)
500mm



Velcro strips (x4)





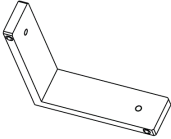
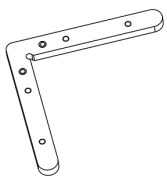

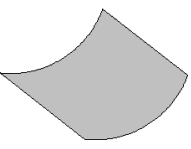


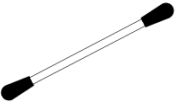








Drill bolt 8 x 60,
Polyamide 6 (PA6) (x4)



Paper template (x1)

Hardware and Parts List for Screen

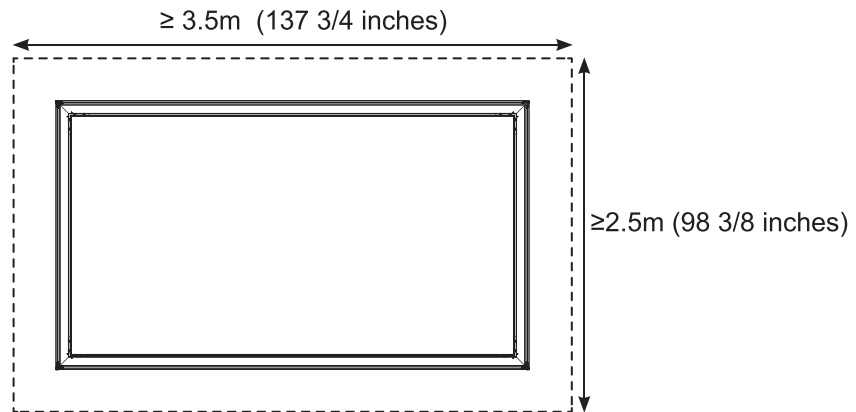
Make sure you have all of the parts shown below before you begin the installation procedure.

No.	Name	Picture	Qty.	No.	Name	Picture	Qty.
A	Long Inner Frame		2	B	Short Inner Frame		2
C	L Corner Piece		4	D	L Elbow Joints		4
E	M4x6 Screws		24	F	Cloth Liner for Assembly		1
G	White Gloves (for screen installation)		4	H	StarBright CLR® Material		1
I	Long Fiberglass Rod		2	J	Short Fiberglass Rod		2
K	Spring Hook		2	L1	Long Outer Frame(top)		1
L2	Long Outer Frame with logo(bottom)		1	M	Short Outer Frame		2
N	M3x7 Screws		28	O	Vertical Beam		1
P	Corner Sleeve		4				

Frame Assembly

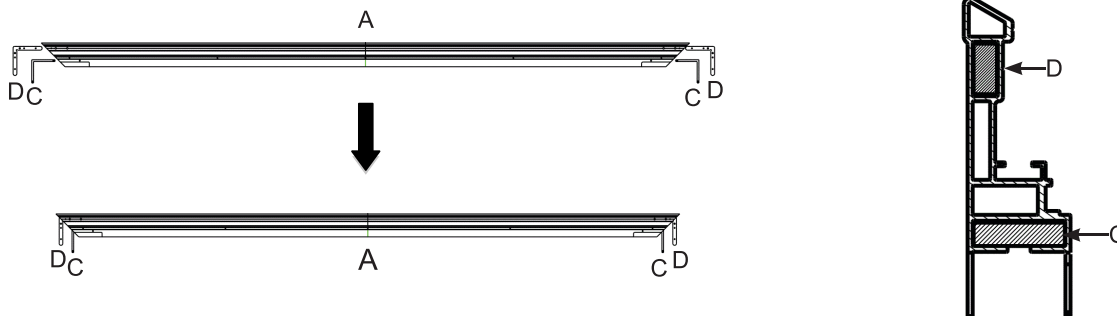
Note:

The installation space should be at least 3.5m x 2.5m (137 3/4 inches x 98 3/8 inches).

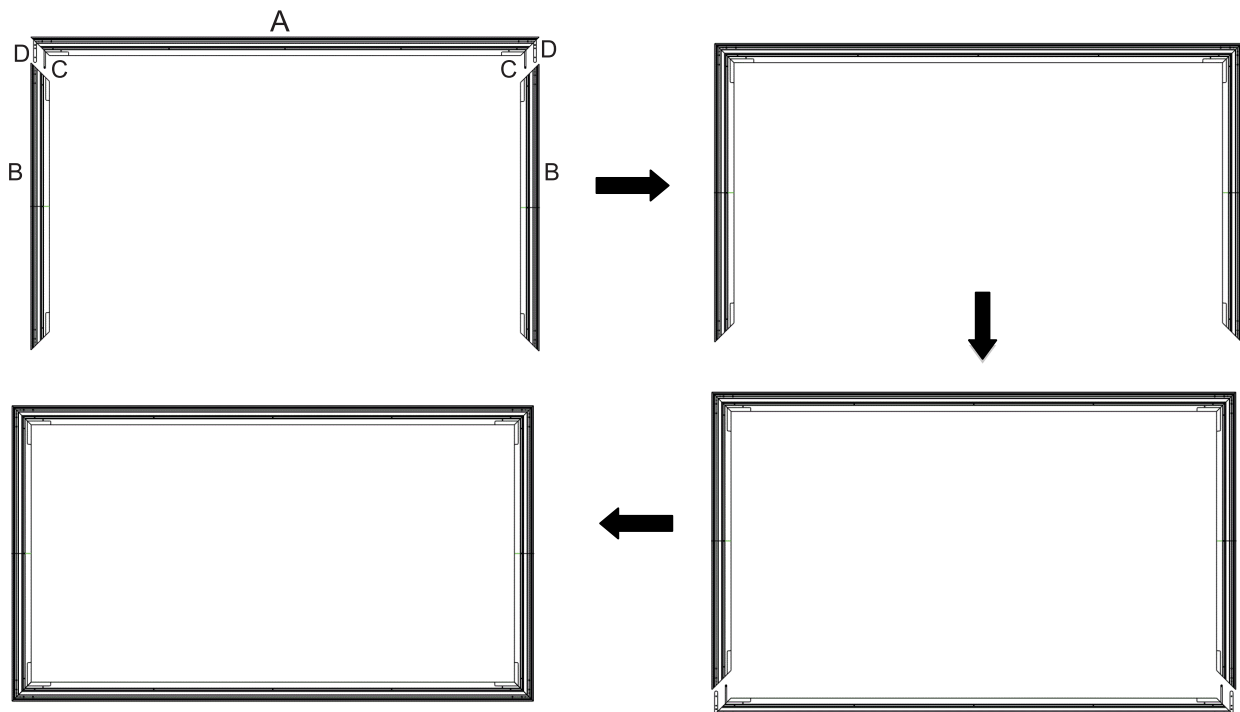


Place the **Cloth liner (F)** sponge on clean area on the ground to assemble the screen.

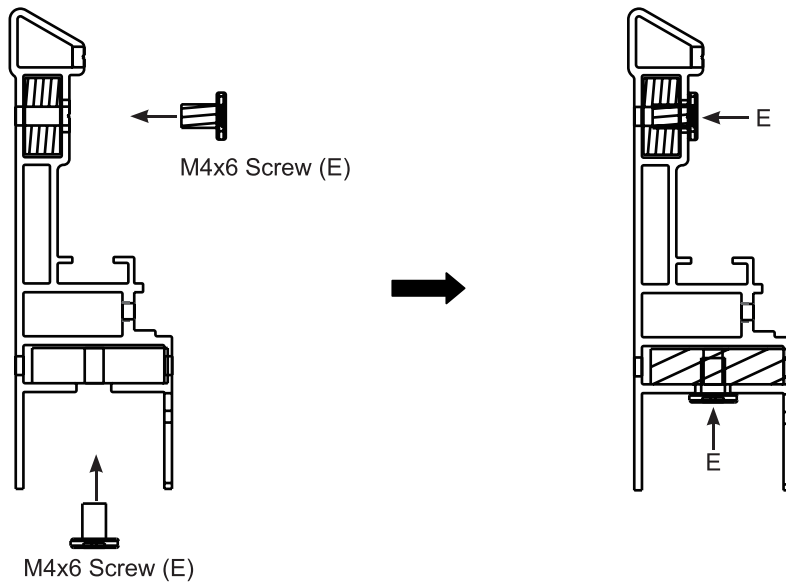
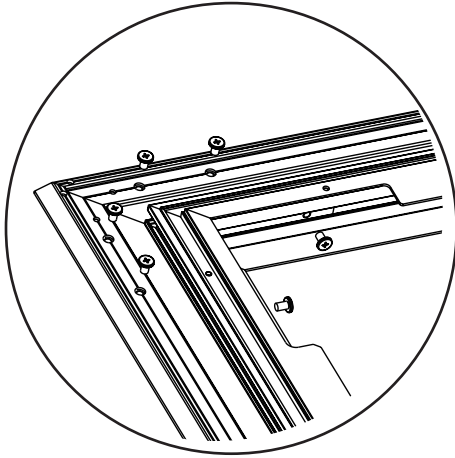
1. First insert the **L corner Piece (C)** , and then insert **L elbow joint (D)** (front side is up) into each end of the **long inner frame (A)** as shown below.



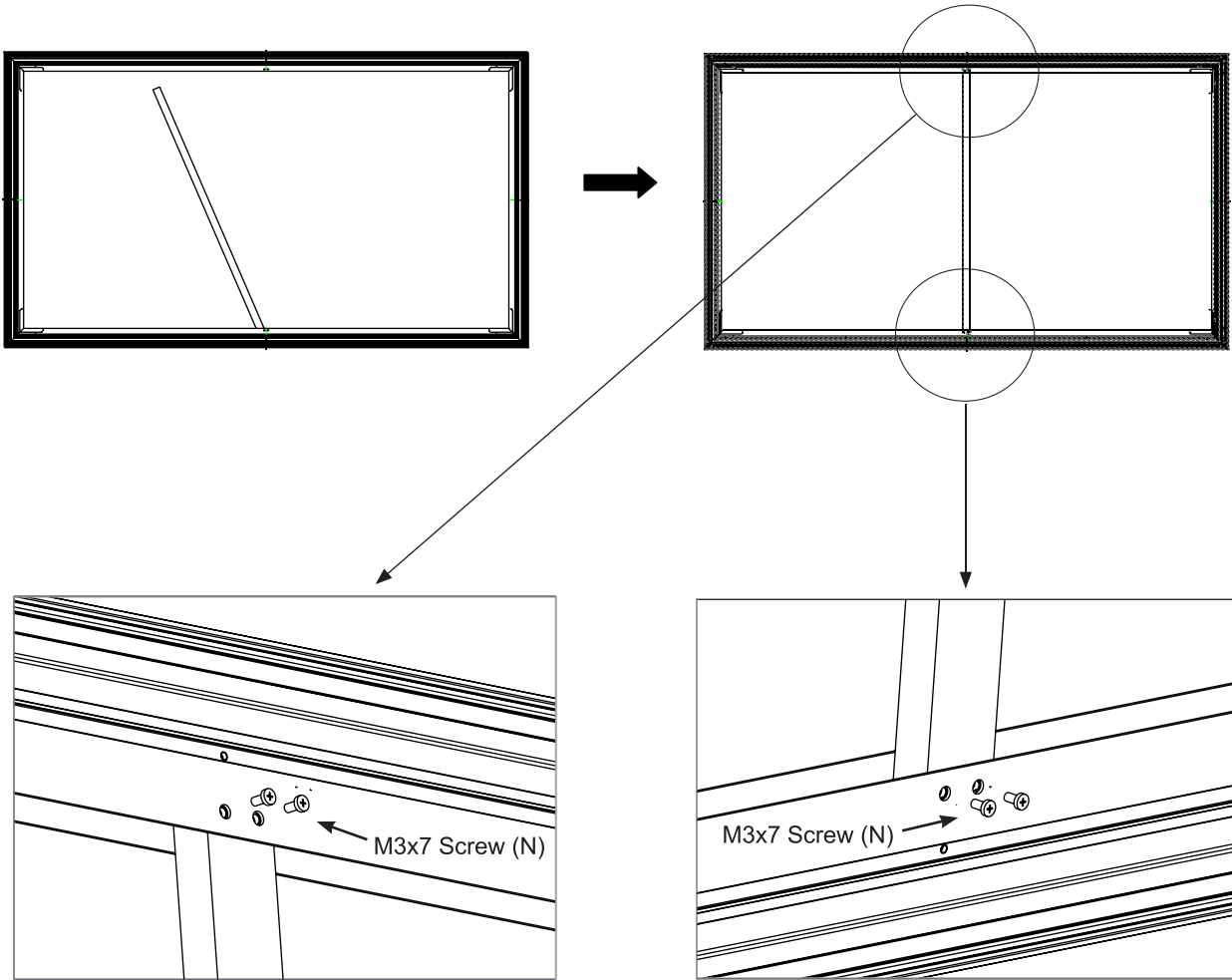
2. Insert the two **Short Inner Frames (B)** into the **L Corner Piece (C)** and **L Elbow Joint (D)** as shown in the diagram below.



3. Next, fasten the four angles with the M4x6 Screws (E).



4. Mount the vertical beam (O) to support frames, and fasten with four M3x7 screws (N).



Screen Material Installation

Please read this important note before proceeding with the installation process of the material:

Before handling the StarBright CLR® material (H), put on the supplied pair of white gloves (G) to avoid leaving fingerprint marks, dust or oil from your hands on the surface of the material (Figure 1). The StarBright CLR® material (H) is very delicate and should be handled with extreme care. Do not allow the material to fold or bend. Failure to follow instructions will result in permanent damage to the screen material, which is not covered by warranty.

1. Remove the StarBright CLR® material (H) from the packaging tube and set it gently on a clean surface.
 - Tip: Carefully put a small flat weighted object at the edge to prevent it from moving out of place.
 - Please keep the front of the material face down.
2. It is strongly recommended for two people to unroll the material to prevent the screen from bending or rolling unevenly. Each person should hold one end of the roll and slowly unroll the screen in a clockwise direction (Figure 2).
 - Tip: Check the **DOWNSIDE** label on the material.
3. Lay the material completely flat with the front facing down on a clean surface in a horizontal position (Figure 3).

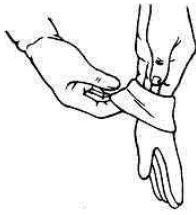


Figure 1

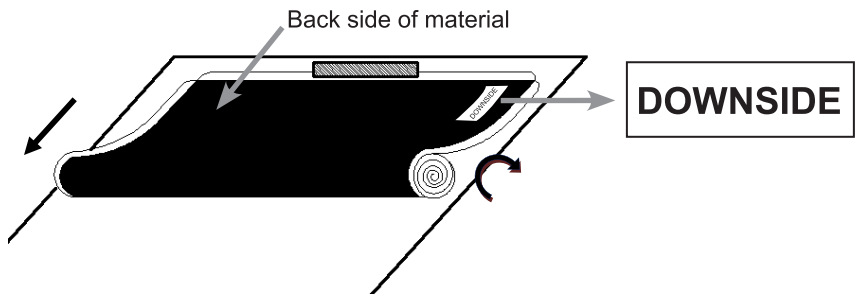


Figure 2

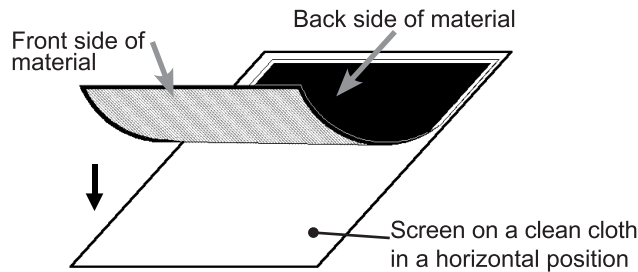
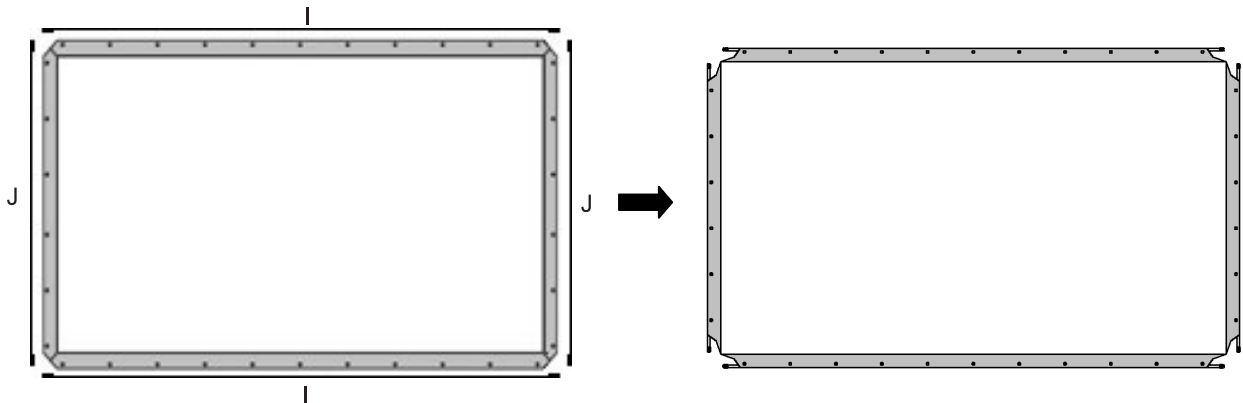
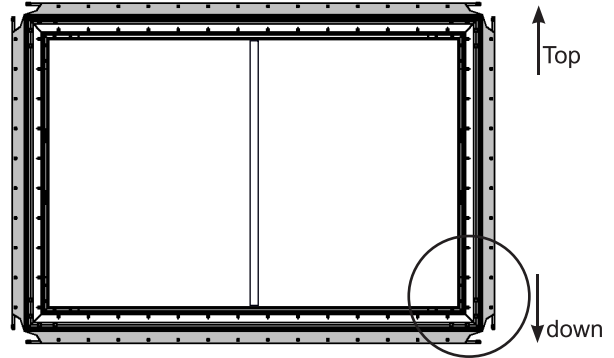
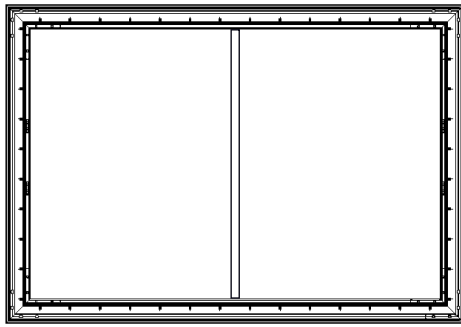


Figure 3

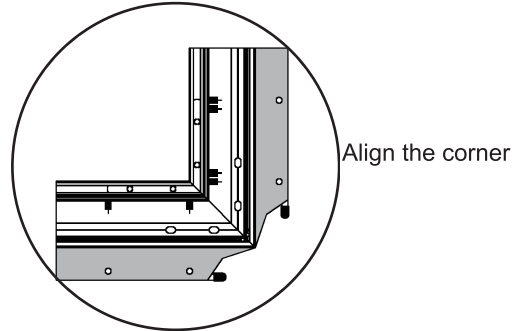
4. Insert the long and short **fiberglass rods (I, J)** through the openings. The **long fiberglass rods (I)** are used on the horizontal edges of the screen material, and the **short fiberglass rods (J)** are used on the vertical edges, as shown below.



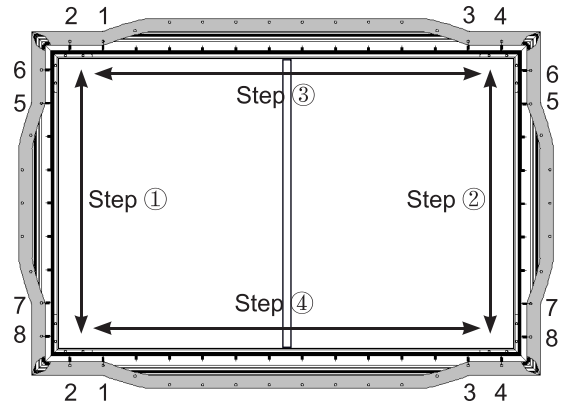
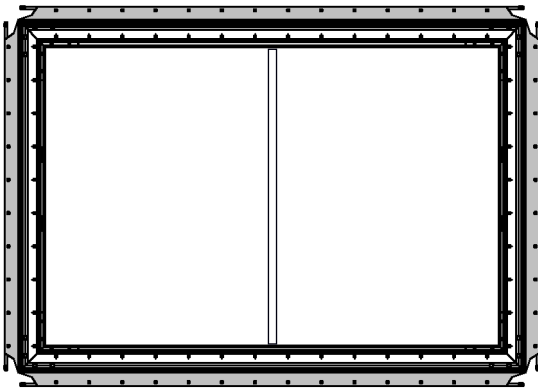
5. Carefully and gently place the assembled frame on top of the screen material. Align the screen material corner with the corner of assembled frame as the diagram below. In order to avoid puncturing the material, do not allow the angled edge of the frame to come in direct contact with the screen.

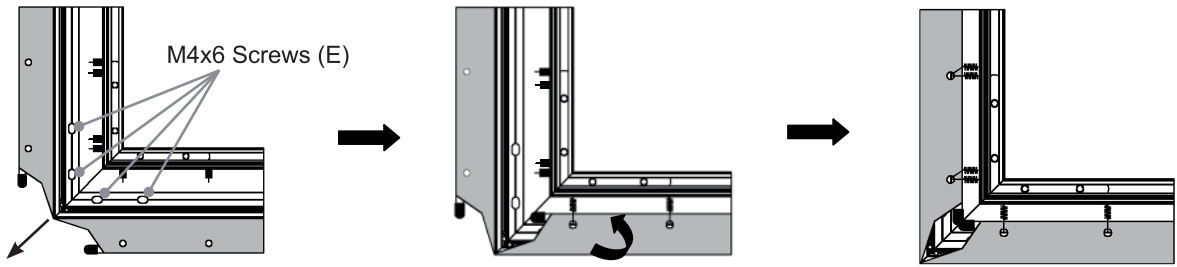


Tip: Make sure the back of the screen material is facing up as shown in this illustration.



6. With one end of the springs connected securely inside the groove of the frame, use the **spring hook (K)** to attach springs to the holes located on the outer edge of the screen material. One hole on the horizontal outer edge matches one spring, but one hole on the vertical outer edge matches two springs.
- 1) Attach the four corners first. Two people should use the **spring hook (K)** to attach springs to holes located on the outer edge of the screen material in the order of 1-1→2-2→3-3→4-4, then 5-5→6-6→7-7→8-8.





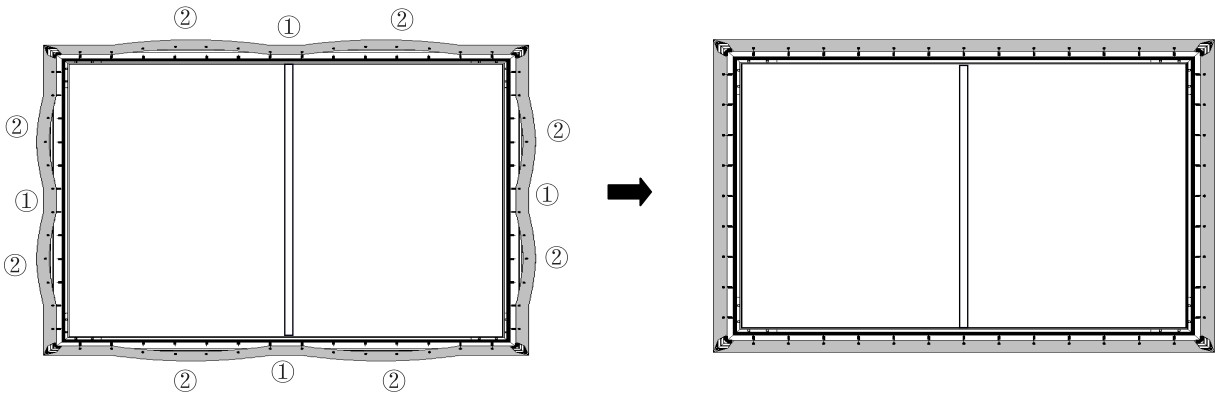
Stretch the screen material in the direction of the arrowhead.

Use the **spring hook (K)** to attach springs to holes located on both horizontal and vertical outer edge of the screen material.

Repeat until all of the springs are installed.

Tip: The screen material is in the best position when the outer edge just covers M4x6 screws (E) labeled above.

2) After you've installed the corner of the material, assemble the spring in the order ① → ② shown below.

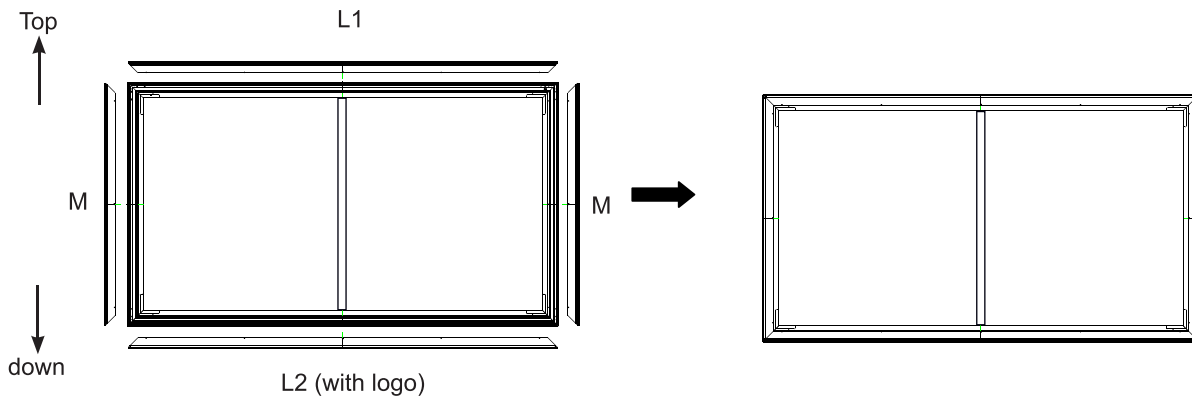


3) When finishing the steps above, make the screen to stand up and check if the screen material is stretched out of the frame. If it is, then release the spring and readjust the screen material to make sure it is not be stretched out of the frame and the four sides are parallel to the sour sides of the frame.

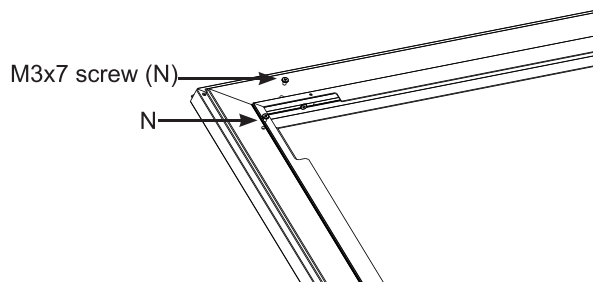
Outer Frame Installation

1. Place the outer frame along the four edges of the screen material corner.
2. Place all the frame pieces along the edge of screen material. Adjust the trim so that the top and bottom trim pieces are touching and show no gaps in the center. Align the M3x7 Screws (N) with holes as shown in the illustration below. Next, insert the screws in the holes tightly.

NOTE: When installing frame, do not install the screen protective paper, foam, nonwovens or other materials into the screen edge.



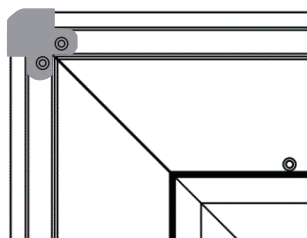
For the long frame, 5 screws need to be used; for the short frame, 3 screws need to be used.



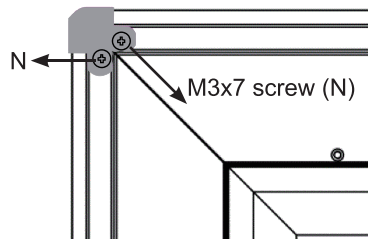
Align the **L1**, **L2**, **M** with the Frame corners and the holes.

3. Place the **corner sleeve (P)** on the four corners. When the **corner sleeve (P)** fits the outer frame completely, then tighten the screws into holes .

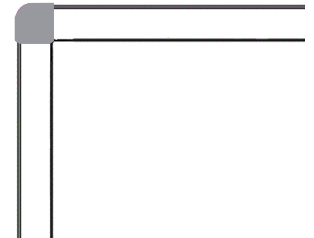
Screen back side



Screen back side



Screen front side



Attention:

- The corner sleeve is made of plastic, you may find it oblique from the front side after tightening the screws. In this case, please loosen the screws and put the corner sleeve at the right place, and then tighten the screws again.
- You are not suggested to screw the plastic corner sleeve (P) too tight because high twisting force could damage the corner sleeve. The proposed force is less than 0.3 N.M.

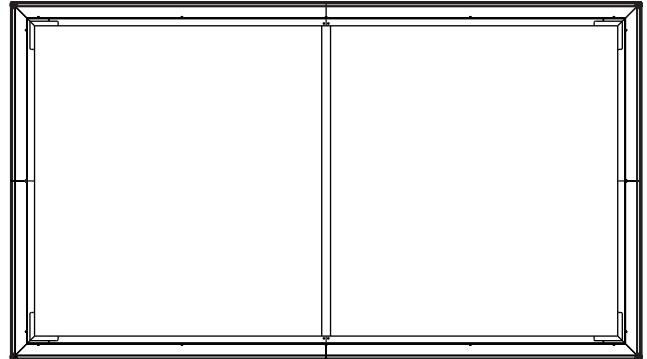
4. Look at the screen horizontally, and if you find the material is black, it is in the correct direction and ready for mounting on the wall. However, if the material is white, turn around the screen and then install it.

When you are finished, the front and back of the screen should appear as shown below.

Front side

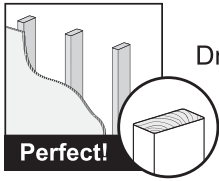


Back side

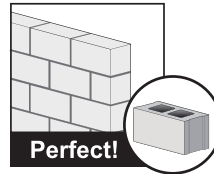


Installing the Wall Mount Brackets

Check the Type of Wall You Have



Drywall with studs?



Solid concrete or concrete block?

Minimum wood stud size: common
2 x 4 in. (51 x 102mm) nominal 1½ x 3½ in. (38 x 89mm)

Minimum solid concrete thickness: 8 in. (203mm)

Minimum concrete block size:
common 8 x 8 x 16 in. (203 x 203 x 406mm)
Place screen onto the wall-mount brackets.

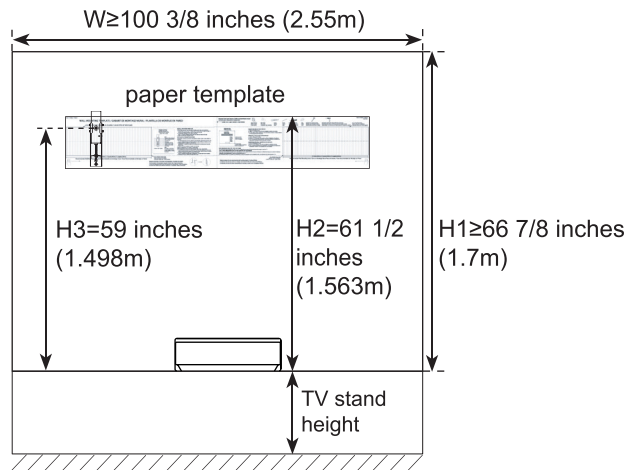
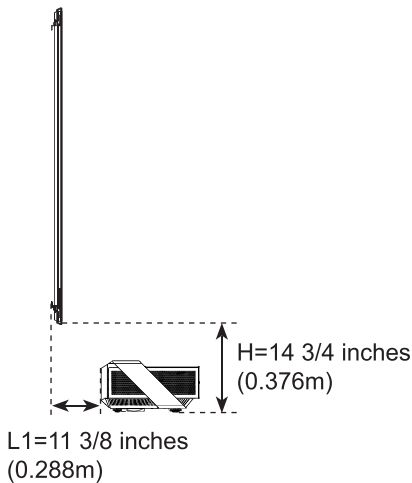
Prepare Your Space

CHECK THE SIZE OF YOUR SPACE

- Width ≥ 100 3/8 inches (2.55m)
- Height ≥ 66 7/8 inches (1.7m) from the installation surface to the ceiling.
- For the optimal viewing experience, we recommend a minimum viewing distance of 120 inches (3m) from the screen.

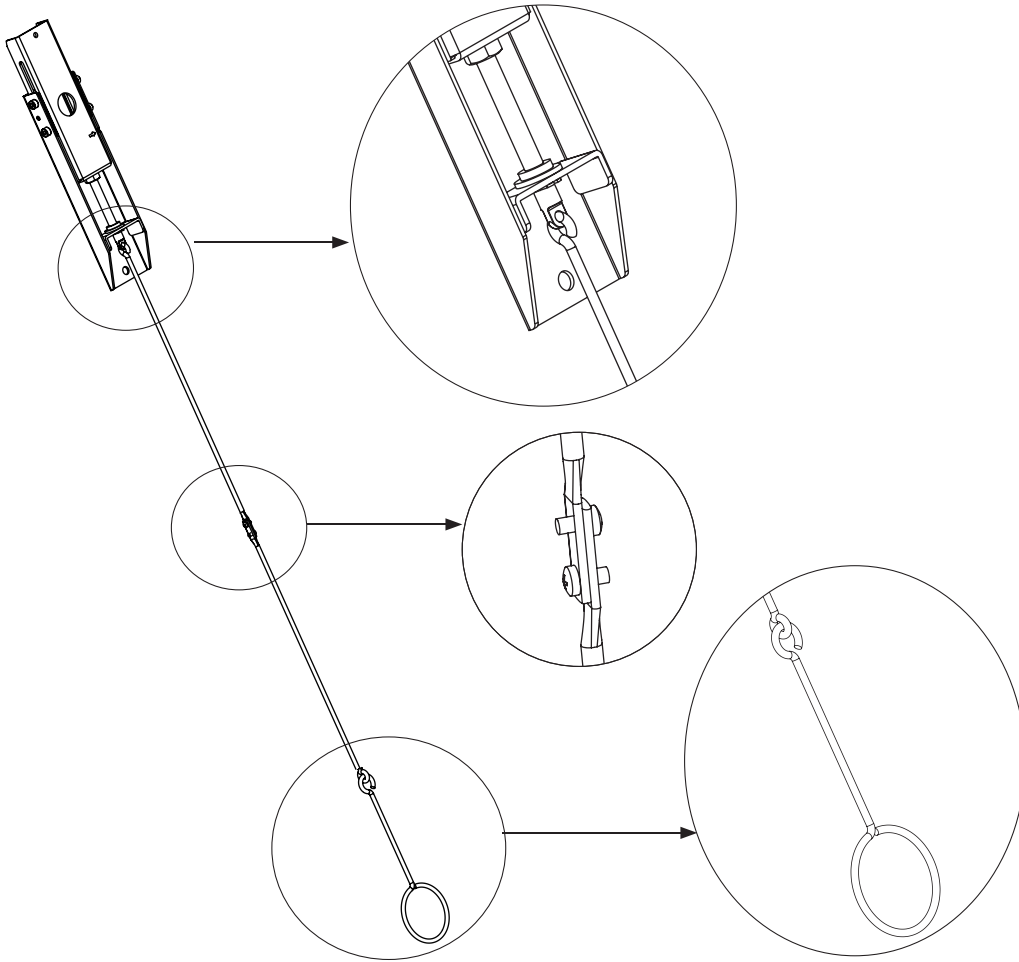
RECOMMENDED SIZE FOR YOUR TV STAND

We recommend that you place your Laser TV on a TV stand that is at about 20 inches (50 cm) tall and 16 inches (42 cm) wide to hold the TV.



Connecting the Wands

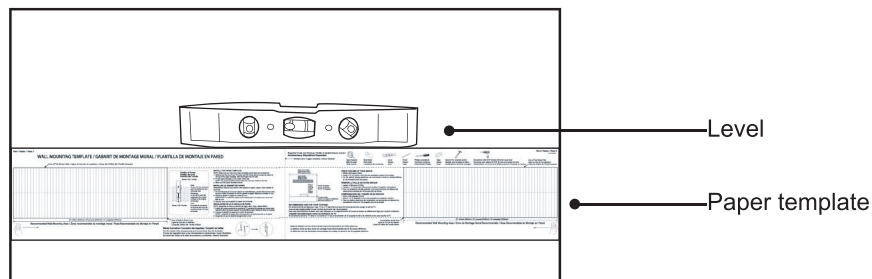
Connect the wands as shown in the illustration below.



Install the Wall Mount Brackets

NOTE: Make sure you have your paper template, pencil, tape, level and screwdriver.

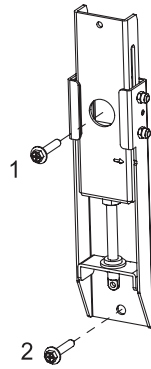
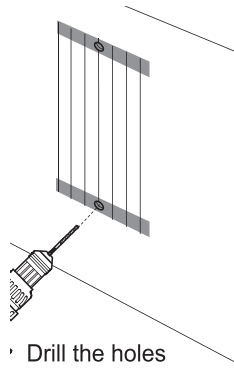
1. Starting from the top of your TV stand, add 61 1/2 inches (1.563m) above it to get the height of the top of the paper template. Mark the height onto the wall.
2. Put the paper template on the center of the wall.
NOTE: The paper template should match the mark you made on the wall.
3. Make sure the paper template is level.



IF YOU HAVE A DRYWALL WITH WOOD STUDS

NOTE: Make sure you have your stud finder.

4. Use a stud finder to find the studs in the areas on the paper template, and mark the center of the studs with a pencil. Following the vertical line on the paper template, mark where the bottom screws should be within the proposed area.
5. On the marks, drill the holes for the four screws.
6. Remove the paper template and install the brackets with the screws. Firmly tighten the screws.
NOTE: Hold the bracket in place when tightening the screw to keep the bracket from shifting.

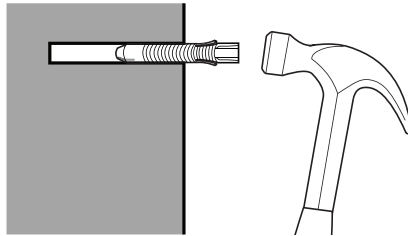


Install the brackets with the screws

IF YOU HAVE A SOLID CONCRETE OR CONCRETE BLOCK WALL

NOTE: Make sure you have your concrete anchors and hammer.

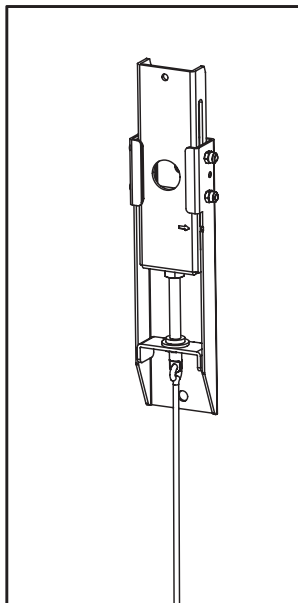
4. Drill holes for the top screws. Following the vertical line on the paper template, drill holes for the bottom screws within the proposed area.
5. Remove the paper template and insert four anchors into the holes.
Be sure the anchors are flush with the concrete surface.
6. Install the brackets with the screws and firmly tighten them.
NOTE: Hold bracket in place when tightening the screw to keep the bracket from shifting.



Insert anchors

CAUTION: All screws MUST BE firmly tightened to prevent unwanted movement of the brackets. Make sure the brackets are securely fastened to the wall before continuing on to the next step.

7. Attach the upper and lower parts of the wall bracket wands with the screws and bolts. Make sure the two parts are aligned and firmly tighten the screws.
8. Hang the wands on to the wall-mount brackets.

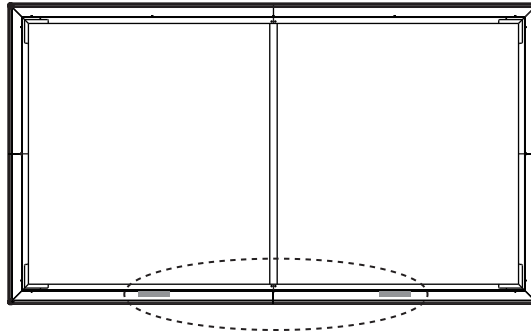


Hang the Screen

1. We strongly recommend that two people handle this screen when moving it. Be sure to use gloves (included) to protect the screen from grease, sweat and dirt.



2. Place the assembled screen vertically on the ground. Look at the screen horizontally, and if you find the material is black, it is in the correct direction and ready for mounting on the wall. However, if the material is white, turn around the screen and then install it.
3. Split the release paper on one side of the velcro strips. Paste the velcro strips on the left and right side of the bottom of the screen (on the back side of the screen).



4. Place the screen onto the brackets.

NOTE: We do not recommend mounting the laser TV console to the ceiling. If you choose to, the orientation of the screen will need to be reversed. Because in that case the function of offsetting the environment light will be diminished.

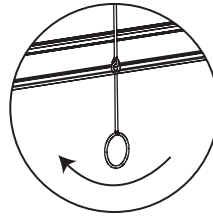
5. Adjust the Height of the Screen

Attach the handles of the wands on the wall-mount brackets and adjust the height of the screen. Refer to the top border to match the screen to the display image.

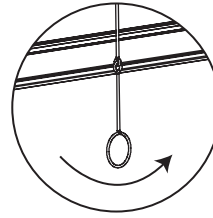
WARNING:

Do not look directly at the lens when this device is on because the laser light may damage your eyes!

If the screen is higher than the image, then rotate the wands clockwise and move the screen down.

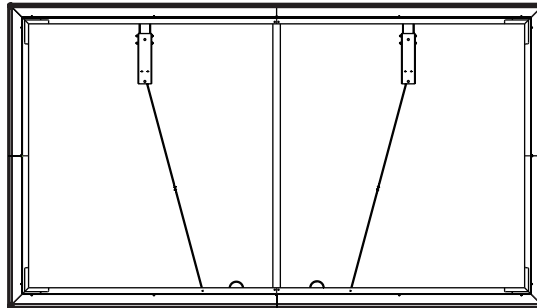


If the screen is lower than the image, then rotate the wands counterclockwise and move the screen up.

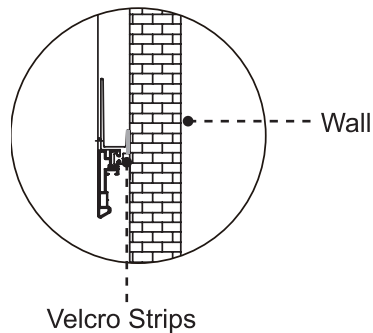


After you've completed adjusting the screen height, remove the handles. Fold and rest the wands on the screen bracket on the bottom of the screen.

6. Make sure the screen is horizontally and vertically level. To prevent the bracket wands from keeping the screen from being vertically level, fold and rest them on the screen bracket on the bottom of the screen (see the diagram).



7. When finishing adjusting the position of screen, split the release paper on the other side of the two velcro strips. Remove the foam support and push the screen to the wall.



Disclaimer:

All products, product specifications, and data are subject to change without notice to improve reliability, function, design or otherwise.